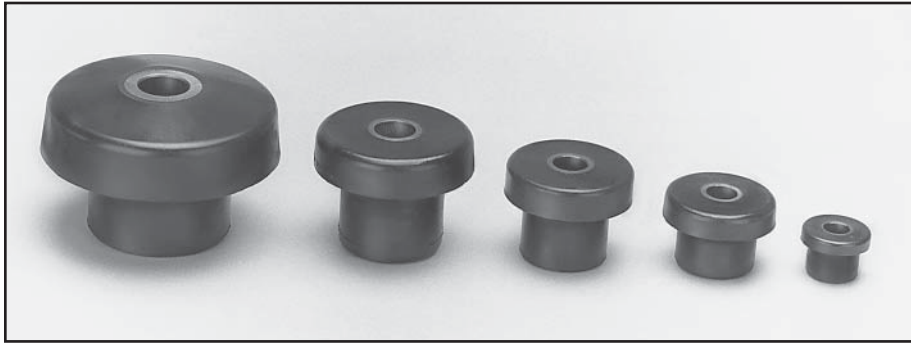


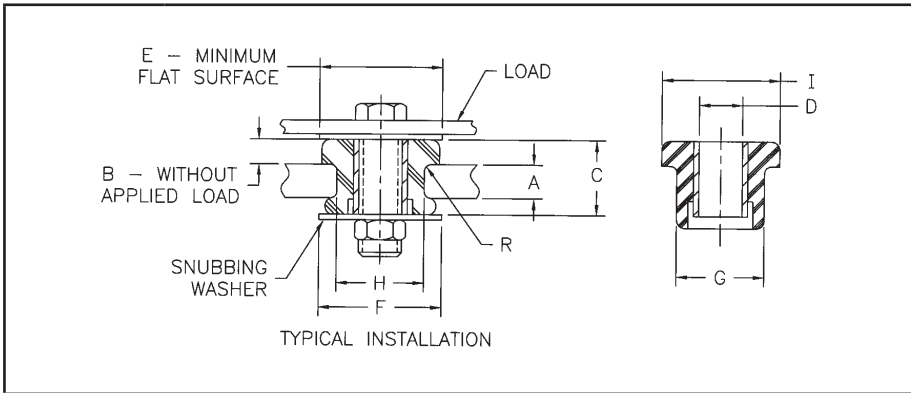
Center Bushing Mounts



Tech Products' Center Bushing Mounts are fail-safe, multi-direction isolators for a variety of heavy duty applications. During Installation, a self-contained rebound is formed when the mounts resilient element spreads under compression. An internal sleeve serves as a positive spacer to control pre-loading.

Features

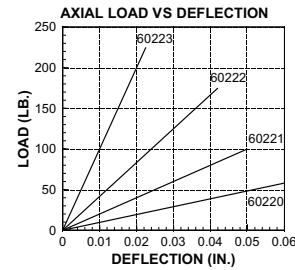
- Single piece design for easy installation
- Fail-Safe Installation when proper snubbing washers (Page 73) are used
- Oil, Fuel, and Solvent resistant neoprene elastomer
- -20°F to 180°F operating temperature range



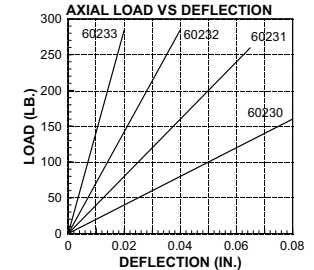
Part No.	A	B	C	D	E(min.)	F(min.)	G	H	I	R(min.)
60220 thru 23	0.31	0.23	0.69	0.40	1.25	1.10	0.81	0.75	1.09	0.06
60230 thru 33	0.38	0.41	1.00	0.47	2.00	1.50	1.24	1.12	1.75	0.06
60235 thru 38	0.62	0.53	1.38	0.53	2.25	1.70	1.35	1.25	2.00	0.06
60240 thru 43	0.62	0.53	1.38	0.64	2.25	1.70	1.35	1.25	2.00	0.06
60245 thru 48	0.75	0.62	1.75	0.64	2.85	2.20	1.61	1.50	2.50	0.06
60250 thru 53	0.93	0.80	2.00	0.64	3.50	2.50	1.96	1.81	2.97	0.12
60260 thru 63	0.75	1.13	2.12	0.77	4.25	2.70	2.20	2.00	3.68	0.12

Center Bushing Mounts

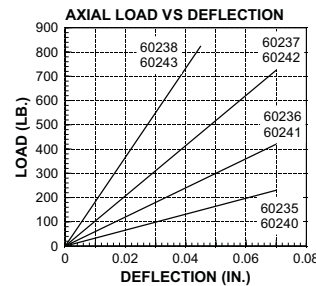
Part No.	Color Code	Max. Load (lbs.)
60220	Red	30
60221	Green	50
60222	Blue	80
60223	White	140



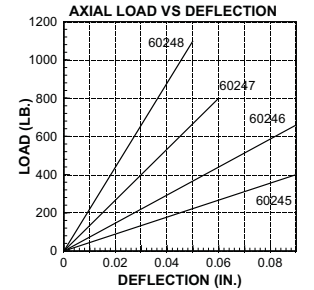
Part No.	Color Code	Max. Load (lbs.)
60230	Red	130
60231	Green	190
60232	Blue	300
60233	White	520



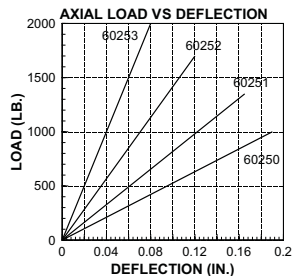
Part No.	Color Code	Max. Load (lbs.)
60235/60240	Red	230
60236/60241	Green	360
60237/60242	Blue	520
60238/60243	White	720



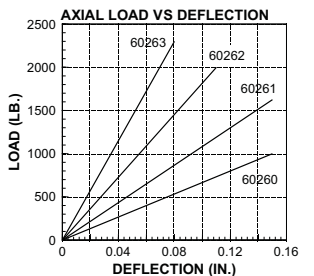
Part No.	Color Code	Max. Load (lbs.)
60245	Red	400
60246	Green	540
60247	Blue	750
60248	White	1100



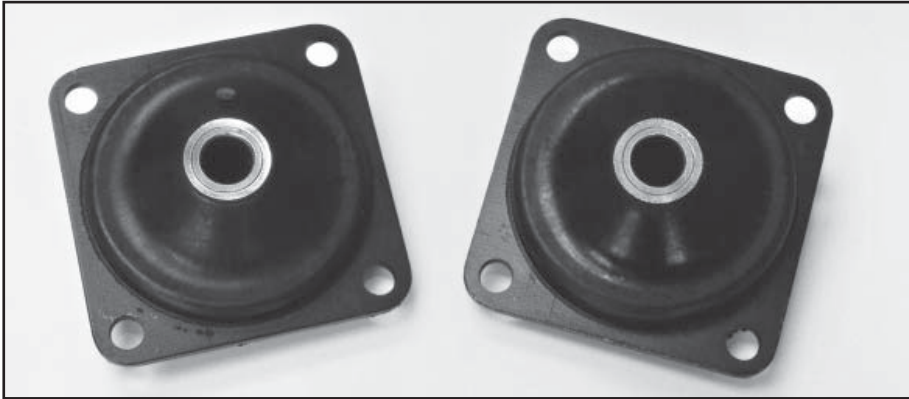
Part No.	Color Code	Max. Load (lbs.)
60250	Red	600
60251	Green	800
60252	Blue	1100
60253	White	1500



Part No.	Color Code	Max. Load (lbs.)
60260	Red	950
60261	Green	1300
60262	Blue	1850
60263	White	2400



Heavy Duty Platemounts



Tech Products' Heavy Duty Plate Mounts provide excellent vibration isolation for applications where a low natural frequency is required. At rated loads, these mounts provide a natural frequency below 7 Hz. Typical applications include gas and diesel engines, generator sets, pumps, compressors, and many other types of mobile equipment.

- Fail-safe when installed with snubbing washers (Page 73)
- Standard neoprene elastomer resistant to oil, fuel, and most solvents
- Two sizes available for loads ranging from 85 to 425 lbs.
- Natural Frequency below 7 Hz at rated loads
- 2.5 Radial to Axial Stiffness ratio

61591 Series			61592 Series		
Part No.	Max. Axial Load (lbs.)	Color Code	Part No.	Max. Axial Load (lbs.)	Color Code
61591-1	85	Yellow	61592-1	150	Red
61591-2	120	Red	61592-2	185	Green
61591-3	155	Green	61592-3	320	Blue
61591-4	275	Blue	61592-4	425	White

Deflection at Maximum Load = 0.25"

Radial Stiffness = 2.5 x Axial Stiffness

Heavy Duty Platemounts

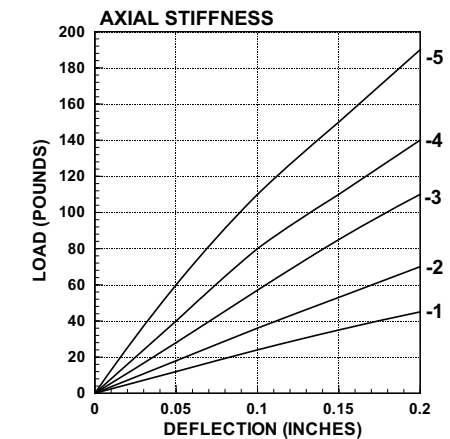
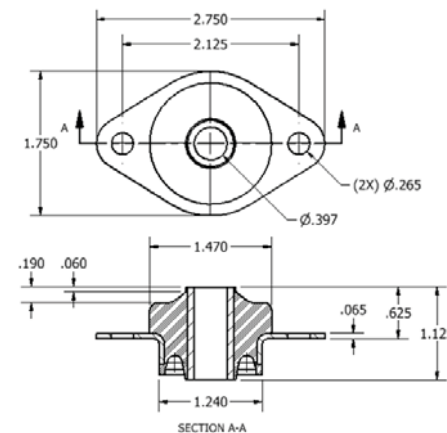


Tech Products' 61597 Series isolators provide excellent vibration and shock protection for a variety of applications including small engines, generators, compressors, pumps, and other mobile equipment.

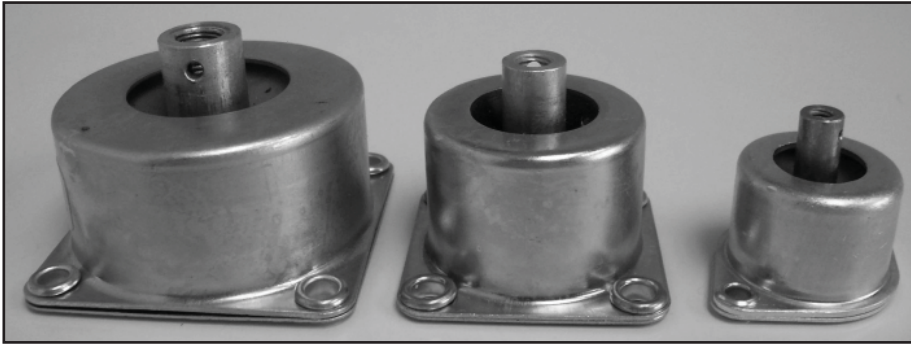
Features:

- Compact Fail-Safe Design (see Page 73 for Snubbing Washers)
- Oil and ozone resistant neoprene
- 8-10 Hz natural frequency

Part No.	Axial Load Rating (lbs.)	Color Code
61597-1	25	Yellow
61597-2	40	Red
61597-3	60	Green
61597-4	80	Blue
61597-5	110	White



507 Series Mounts

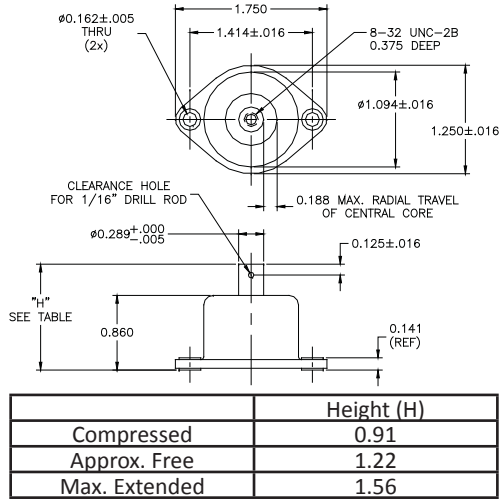


Tech Products' 507 Series Mounts are general purpose isolators for equipment mounted in aircraft, shipboard, or vehicular applications.

These mounts are designed to isolate high frequency vibration and the high damped silicone elastomer provides good shock attenuation and low resonant amplification. The three different sizes are designed to support load ranges from 1 to 80 lbs.

- Fail-Safe, All-Attitude Design
- 1:1 Axial to Radial Stiffness
- Isolation of Vibration over 40 Hz
- 4.0 Max. Transmissibility at Resonance
- High Damped Silicone Elastomer
- -80°F to 300°F Temperature Range

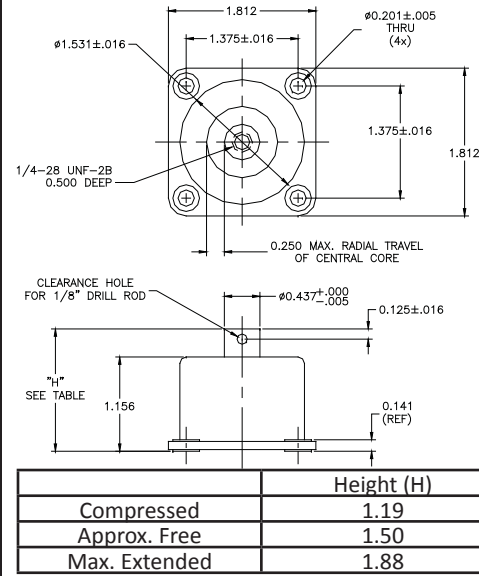
50722 Series



Part Number	Max. Load (lbs.)
50722-1	1
50722-2	2
50722-3	3
50722-5	5

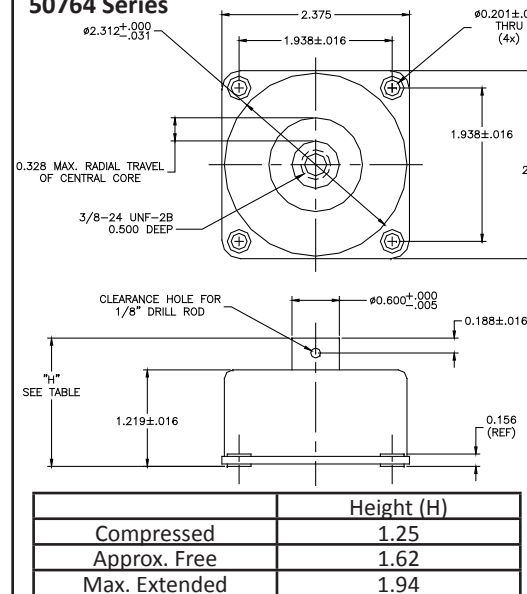
507 Series Mounts

50744 Series



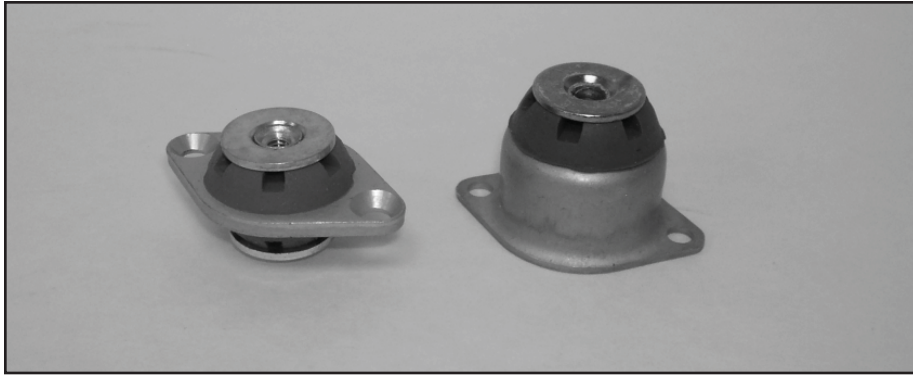
Part Number	Max. Load (lbs.)
50744-10	10
50744-15	15
50744-20	20

50764 Series



Part Number	Max. Load (lbs.)
50764-35	35
50764-50	50
50764-80	80

All-Attitude Mounts



Tech Products' 56421 Series elastomeric mounts have an aluminum center plate suited for built-in electronics. The 56422 Series is a holder style for applications where a base mounted configuration is needed. The elastomer in compression design assures effective isolation in all directions.

The highly damped silicone elastomer provides optimum vibration isolation over a temperature range of -80° to 300° F. The radial to axial stiffness ratio is approximately 0.6.

Features

- All-Attitude design for mounting in any orientation
- Capable of withstanding 30g, 11 millisecond shock loads
- High Damped Silicone elastomer
- Holder style available for base mounting installation

Flush Mount Style

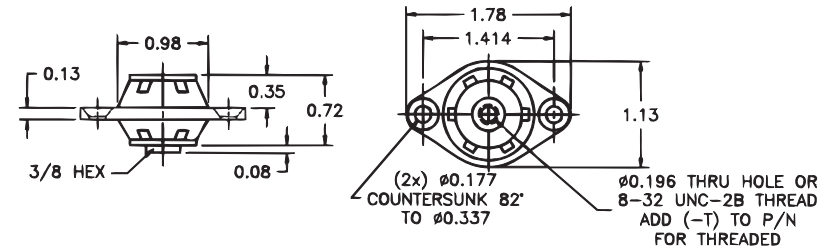
Part No.	Color Code	Max. Stationary Load (lbs.)
56421-30	Gray	3.0
56421-40	Red	4.5
56421-50	Yellow	7.0
56421-60	Green	10.0

Holder Style

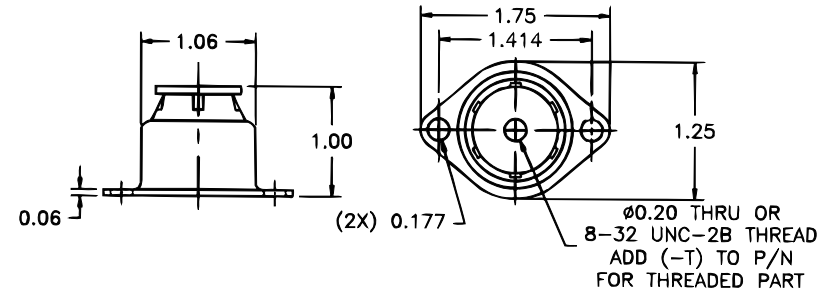
Part No.	Color Code	Max. Stationary Load (lbs.)
56422-40	Red	4.5
56422-50	Yellow	7.0
56422-60	Green	10.0

All-Attitude Mounts

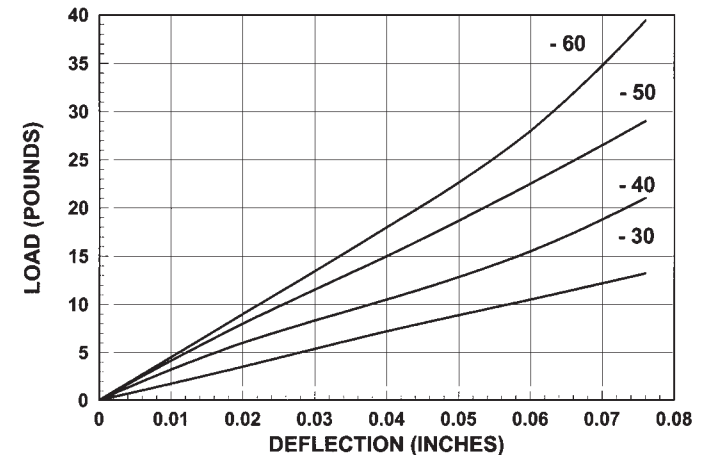
Flush Mount Style



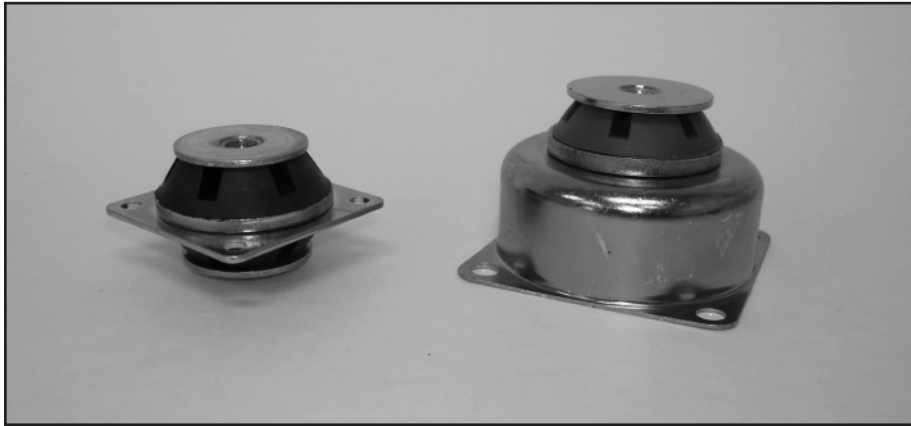
Holder Style



Axial Stiffness



All-Attitude Mounts



522 Series All-Attitude isolators protect stationary loads of 15-50 lbs. and vehicular loads up to 30 lbs. from vibration, shock and noise.

Neoprene elastomer is standard, but High Damped Silicone (HDS) is also available to meet application needs. Neoprene models have a temperature range of -20° to 180° F with excellent resistance to oil and ozone. The HDS models have a temperature range of -80° to 300° F and a maximum transmissibility of about 3.5.

Features

- Elastomer in compression design for multi-axis loading
- Standard neoprene elastomer
- High Damped Silicone Available
- Capable of withstanding high shock loads (see vehicular load ratings)

Flush Mount Style

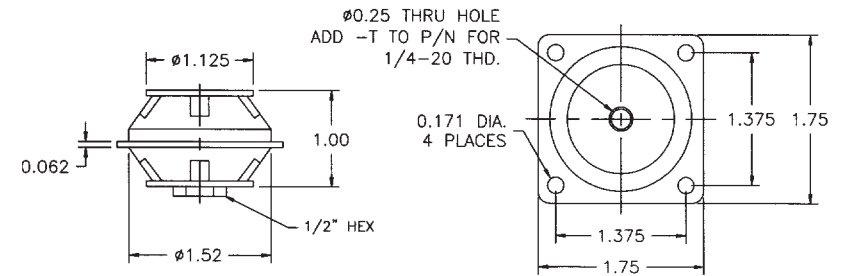
Part No.	Color Code	Max. Stationary Load (lbs.)
52205	Red	15
52206	Green	25
52207	Yellow	35
52208	Blue	50

Holder Style

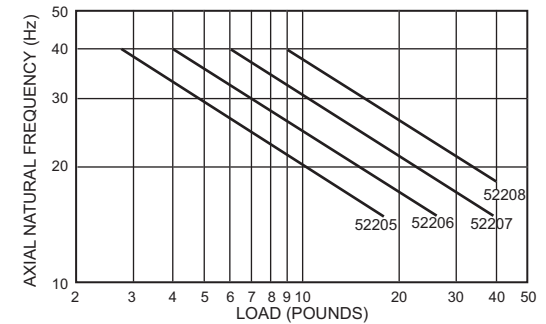
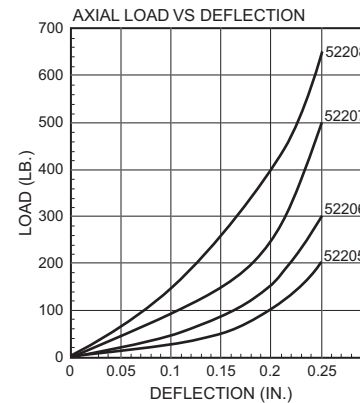
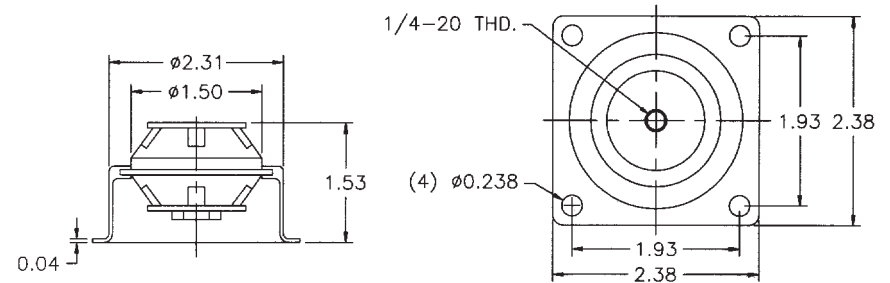
Part No.	Color Code	Max. Stationary Load (lbs.)
52205-H	Red	15
52206-H	Green	25
52207-H	Yellow	35
52208-H	Blue	50

All-Attitude Mounts

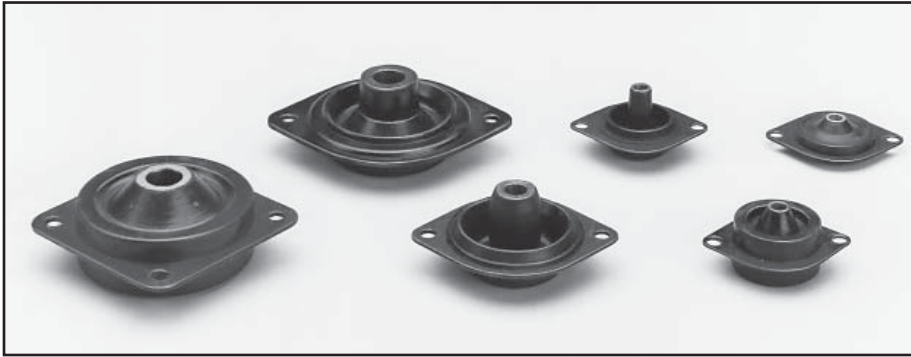
Flush Mount Style



Holder Style



Platemounts

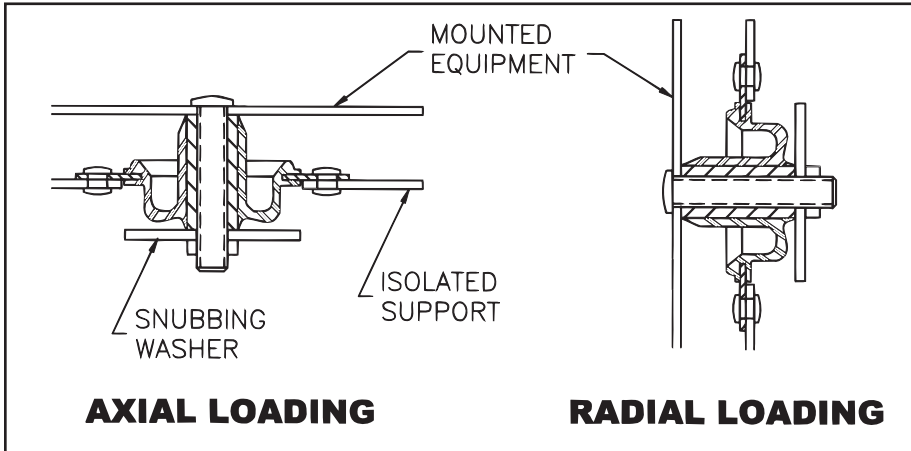


Fail-safe operation of electronic and electro-mechanical equipment, appliances, office machines and transportation equipment are typical applications for Tech Products Plate Mounts.

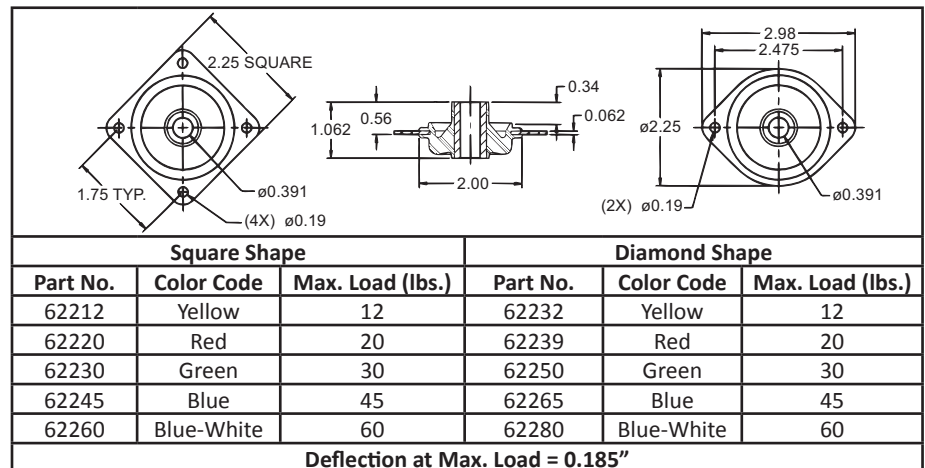
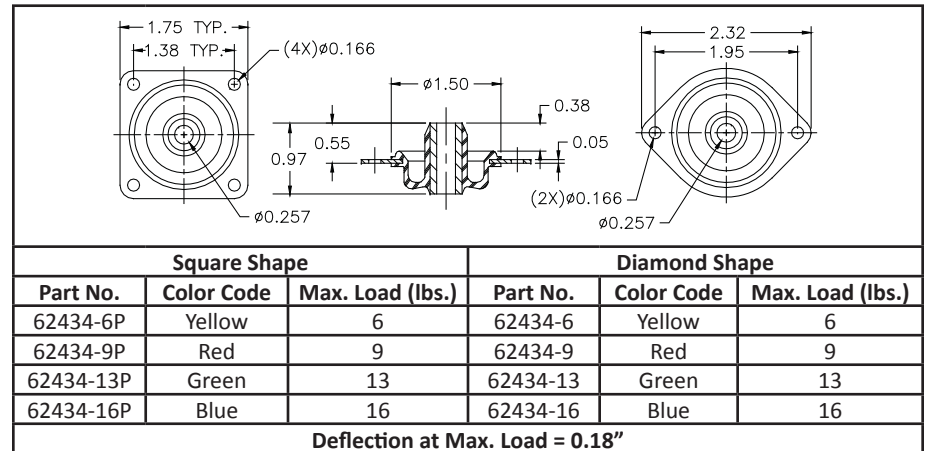
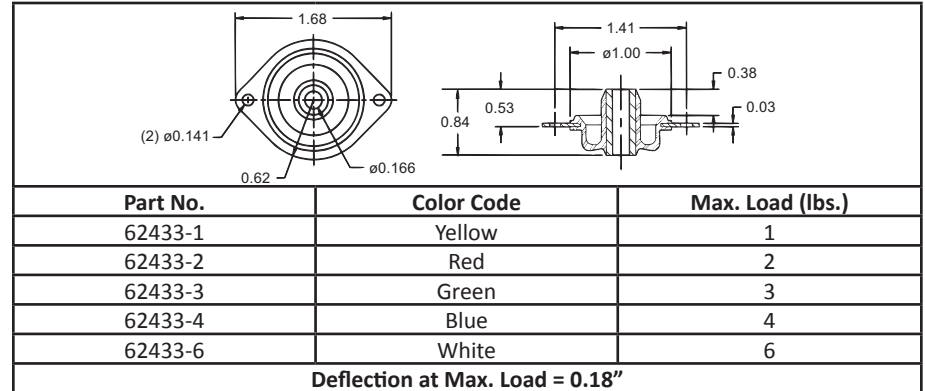
Designed for light to medium loads, they isolate mounted equipment from external vibration and/or isolate vibration produced by the mounted equipment itself.

Plate Mounts feature steel and natural rubber which operate at temperatures of -20° to 180° F.

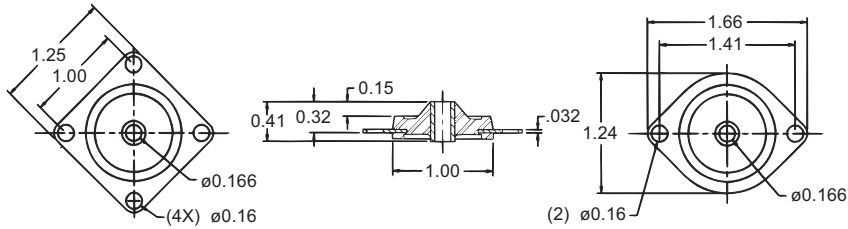
Part numbers are shown for steel plates. Aluminum plates and neoprene elastomer are available options.



Platemounts

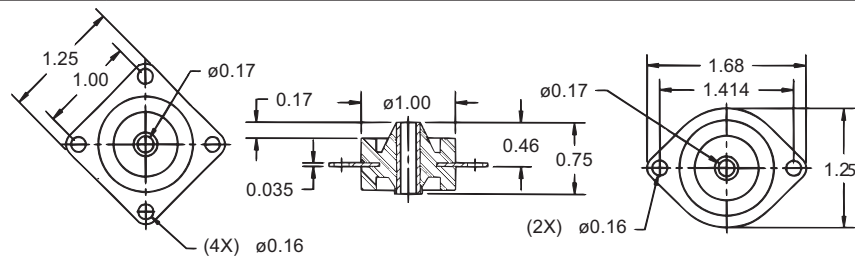


Platemounts



Square Shape			Diamond Shape		
Part No.	Color Code	Max. Load (lbs.)	Part No.	Color Code	Max. Load (lbs.)
62490-A	Yellow	0.5	62491-A	Yellow	0.5
62490-1	Red	1	62491-1	Red	1
62490-2	Green	2	62491-2	Green	2
62490-4	Blue	4	62491-4	Blue	4
62490-6	White	6	62491-6	White	6

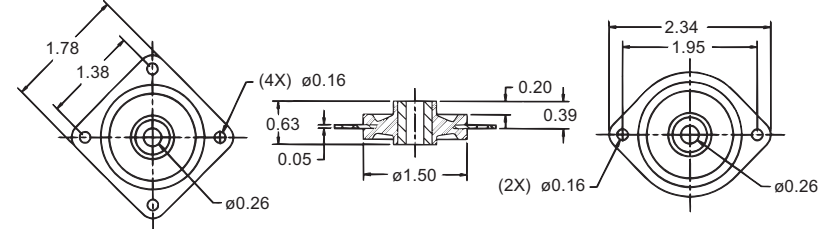
Deflection at Max. Load = 0.06"



Square Shape			Diamond Shape		
Part No.	Color Code	Max. Load (lbs.)	Part No.	Color Code	Max. Load (lbs.)
62004	Yellow	4	62024	Yellow	4
62008	Red	8	62028	Red	8
62012	Green	12	62032	Green	12
62020	Blue	20	62040	Blue	20

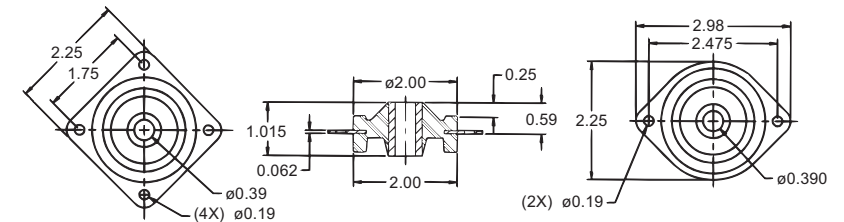
Deflection at Max. Load = 0.06"

Platemounts



Square Shape			Diamond Shape		
Part No.	Color Code	Max. Load (lbs.)	Part No.	Color Code	Max. Load (lbs.)
62103	Yellow	3	62123	Yellow	3
62106	Red	6	62166	Red	6
62109	Red-Green	9	62129	Red-Green	9
62112	Green	12	62132	Green	12
62114	Green-Blue	14	62134	Green-Blue	14
62117	Blue	17	62137	Blue	17
62120	Blue-White	20	62140	Blue-White	20
62126	Blue-Yellow	26	62146	Blue-Yellow	26

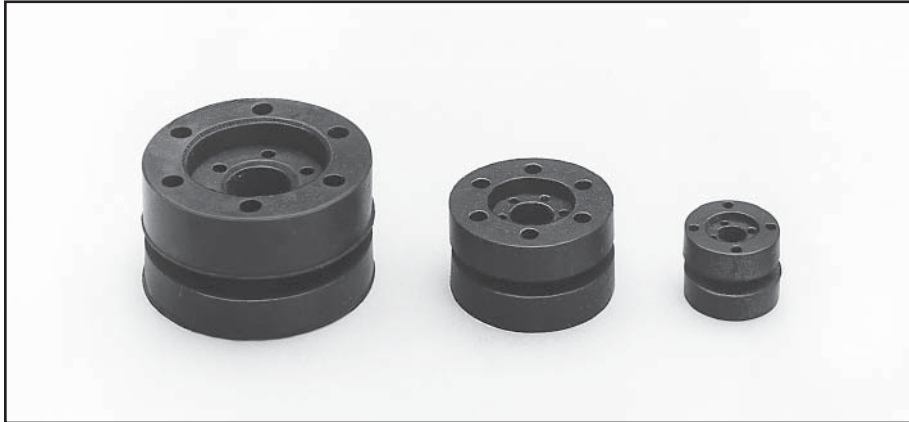
Deflection at Max. Load = 0.09"



Square Shape			Diamond Shape		
Part No.	Color Code	Max. Load (lbs.)	Part No.	Color Code	Max. Load (lbs.)
62330	Red	30	62332	Red	30
62340	Red-Green	40	62342	Red-Green	40
62350	Green	50	62352	Green	50
62370	Green-Blue	70	62372	Green-Blue	70
62390	Blue	90	62392	Blue	90

Deflection at Max. Load = 0.13"
Available with 3/8-16 threaded core

Ring and Bushing Mounts



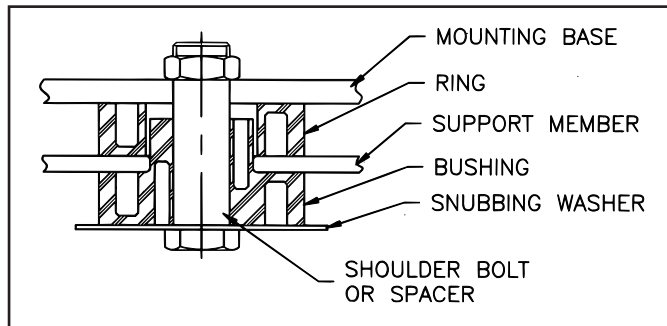
Neoprene Ring and Bushing Mounts are incorporated directly into the structural components of equipment such as office machines, motors and pumps, as well as air conditioning, electronic and scientific equipment. They offer fail-safe operation when installed in pairs.

Opposing holes in the elastomer provide excellent low-frequency isolation. The location of the holes cushions shock and isolates vibration parallel to the mount axis. The bushing's holes isolate vibration perpendicular to its axis.

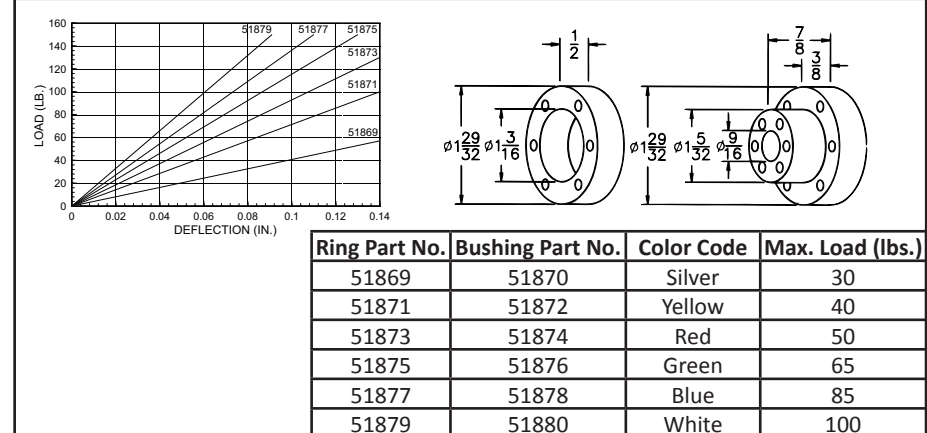
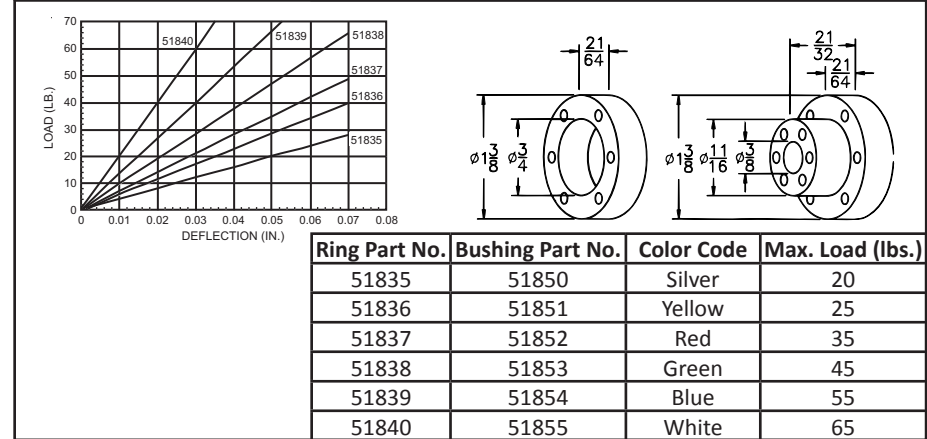
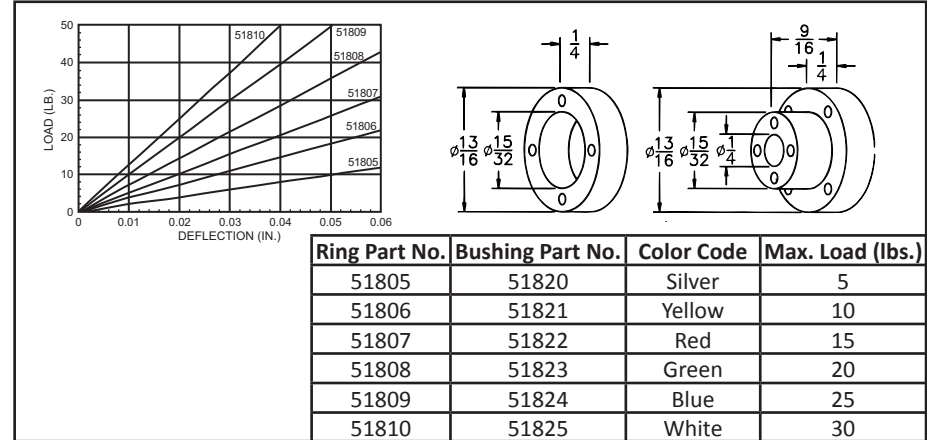
Features

- Fail-Safe installation when proper snubbing washers and spacers are used
- Neoprene elastomer resistant to oil, fuel, and solvents
- Three sizes for loads ranging from 1 to 100 lbs.
- Operating temperature range of -20°F to 180°F

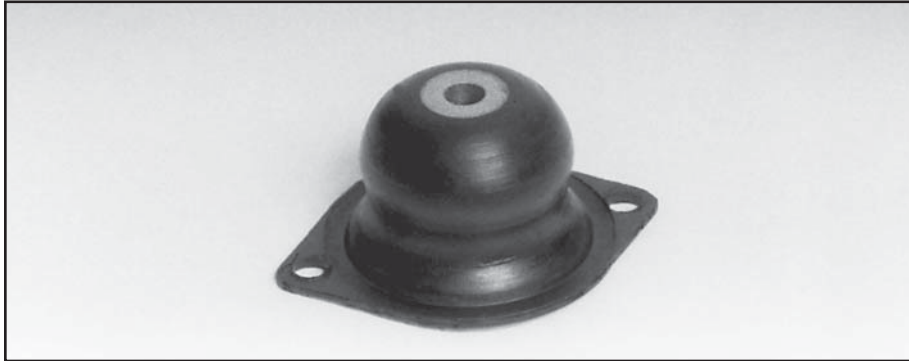
Typical Mounting Application



Ring and Bushing Mounts



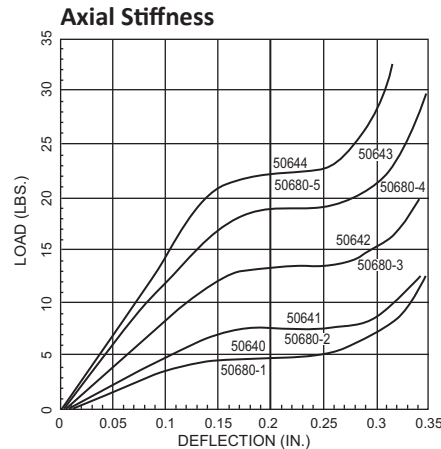
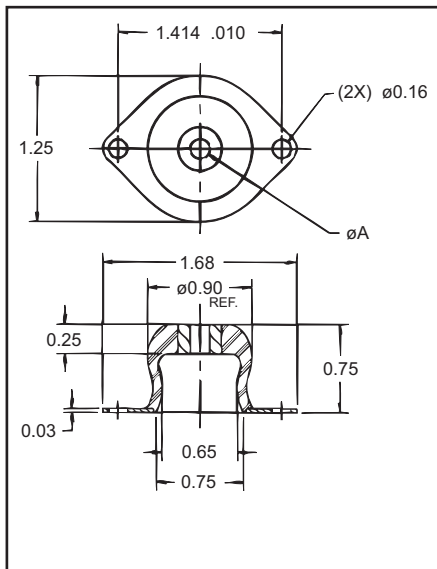
Bubble Mounts



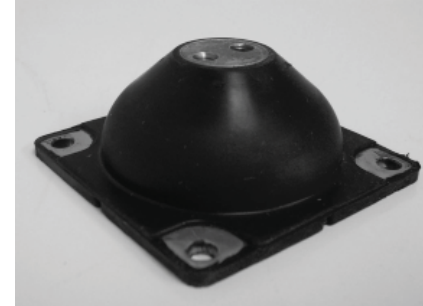
Low-frequency Bubble Mounts isolate electronic or medical equipment, avionics, computers, small pumps and compressors, and more from shock and vibration. Easy-to-install Bubble Mounts are primarily recommended for compression loads.

- Small compact design
- Excellent isolation of light loads
- 8 Hz Natural Frequency at rated loads
- Standard Neoprene elastomer resists oil, ozone, and most solvents
- Optional silicone elastomer available for extreme high or low temperatures

Part No.	Color Code	Max. Load (lbs.)	A
50640	Yellow	4.0	0.170
50641	Red	6.5	
50642	Green	11.0	
50643	Blue	15.0	
50644	White	18.0	
50680-1	Yellow	4.0	0.256
50680-2	Red	6.5	
50680-3	Green	11.0	
50680-4	Blue	15.0	
50680-5	White	18.0	



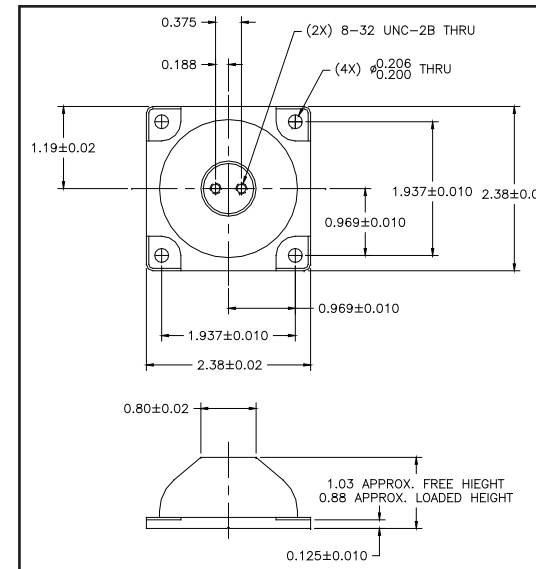
High Deflection Silicone Mounts



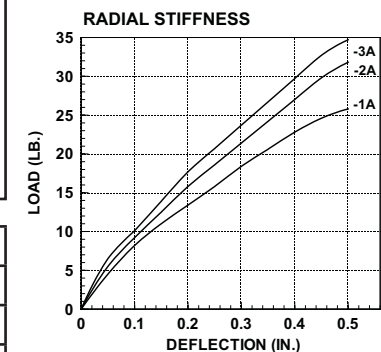
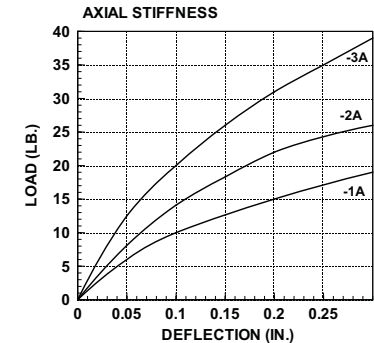
Features:

- High Damped Silicone Elastomer
- Lightweight Aluminum metal components
- 1:1 Axial to Radial stiffness ratio
- -80°F to 300°F operating temperature range

The High Deflection Silicone mounts are low profile isolators that have large deflection capability for shock and vibration attenuation. The mounts are designed to support loads ranging from 5 to 15 lbs. Retaining straps are available for fail-safe installation. Typical applications include ruggedized electronics and computer equipment.



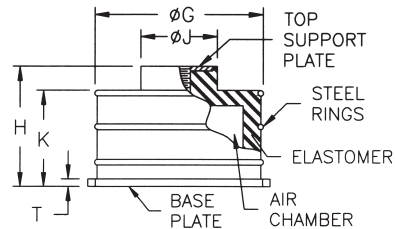
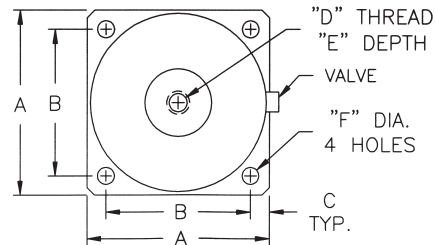
Part Number	Load Range (lbs.)
61829-1A	5-7
61829-2A	7-10
61829-3A	10-15



Pneumatic Spring Mounts



Tech Products Pneumatic series are air spring mounts particularly well suited for situations requiring high deflection and natural frequencies as low as 2.75 Hz. The high stability and reliability of this mount is ideal for use in mounting vibrators, shakers, vacuum pumps, optical comparators, HVAC equipment and equipment subjected to low frequency shock and/or vibration.



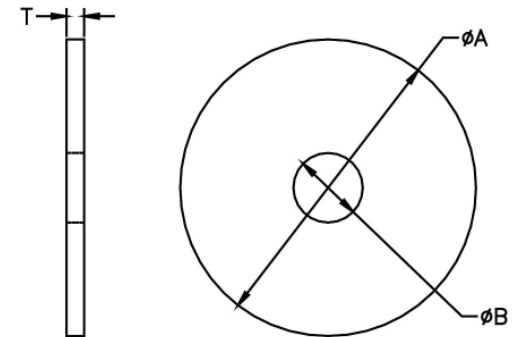
Features:

- Thick walled elastomeric construction
- Dynamic overload capacity of up to ten times maximum rated static load in compression
- Designed for air pressures of 20-85 psi
- Low Natural Frequency

Part No.	Load (lbs.) Min. Max.	A	B	C	D	E	F	G	H*	J	K	T
52001	20 100	3.00	2.38	0.31	3/8-16	0.47	0.27	2.89	2.50	1.09	1.94	0.12
52002	100 300	4.19	3.50	0.34	1/2-13	0.54	0.29	4.14	2.50	2.06	1.94	0.12
52003	300 550	5.13	4.25	0.44	1/2-13	0.54	0.29	4.99	3.50	2.38	2.94	0.12
52004	500 1200	6.88	6.00	0.44	1/2-13	0.54	0.29	6.74	3.50	3.75	2.94	0.12
52005	1200 2400	10.00	8.50	0.75	5/8-11	0.75	0.56	9.66	3.50	5.44	2.94	0.19
52006	1200 4800	13.50	12.00	0.75	5/8-11	0.75	0.56	13.31	3.50	8.00	2.94	0.19
52007	2400 9600	18.50	16.00	1.25	1-14	0.88	0.81	18.44	3.50	11.75	2.94	0.25
52008	4800 19200	24.00	20.00	2.00	1-14	0.88	0.81	24.00	3.50	16.93	2.94	0.25

* H = Free Height; H+1/4" = nominal loaded height for steady force applications

Snubbing Washers



Material: Steel
Finish: Zinc Plating

Product	Washer P/N	A	B	T
51505-(-)	00181	1.56	0.391	.090
51506-(-)	00181-1	2.00	0.450	.125
51507-(-)	00181-1	2.00	0.450	.125
51508-(-)	00308-1	2.00	0.510	.130
51510-(-)	00308-2	2.25	0.635	.150
51512-(-)	00308-3	2.50	0.760	.190
51516-(-)	00185	5.06	1.10	.250
51641-(-)	00182	2.13	0.532	.134
51700-(-)	00181-1	2.00	0.450	.125
51716-(-)	00182	2.13	0.532	.134
60011 to 15	00181	1.56	0.391	.090
60021 to 25	00182	2.13	0.532	.134
60031 to 35	00183	2.81	0.657	.188
60041 to 45	00184	3.88	0.938	.250
60055 to 55	00185	5.06	1.10	.250
60165-(-)	00183	2.81	0.657	.188
60166-(-)	00181	1.56	0.391	.090
60220 to 23	00181	1.56	0.391	.090
60230 to 33	00182	2.13	0.532	.134
60235 to 38	00182	2.13	0.532	.134
60240 to 43	00183	2.81	0.657	.188
60245 to 48	00183	2.81	0.657	.188
60250 to 53	00183	2.81	0.657	.188
60260 to 63	00184	3.88	0.938	.250
60270-(-)	00182	2.13	0.532	.134
60272-(-)	00183	2.81	0.657	.188
60278-(-)	00183	2.81	0.657	.188
60285-(-)	00185	5.06	1.10	.250
61591-(-)	00183	2.81	0.657	.188
61592-(-)	00183	2.81	0.657	.188
61597-(-)	00181	1.56	0.391	.090

Stud/Plate Mounts



Tech Products offers one of the industry's largest selections of these multi-purpose mounts.

Stud/Plate mounts are known throughout the industry by several names including: bumpers, snubbers, feet, sandwich mounts, shockmounts, shearmounts, cylindrical mounts, isolators, levelers, and insulators.

Tech Products' offers other sizes of mounts which may not be shown. Please contact us if you cannot find a specific size needed or if you need assistance selecting the proper mount.

Features:

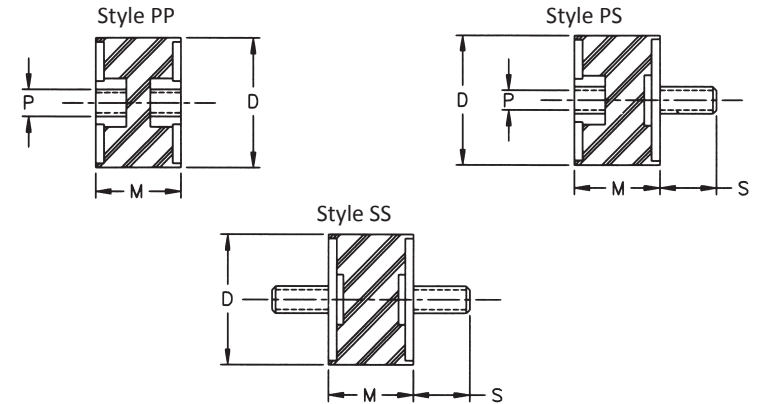
- Many sizes available from stock
- Standard and metric thread sizes available
- Elastomer options include natural rubber, neoprene, silicone and more
- Corrosion resistant zinc plated inserts
- Available in load ratings from 1 to 1200 lbs.

Visit www.novibes.com for a searchable database of Tech Products Stud/Plate Mounts.

Maximum Tightening Torque	
UNC Thread	lbs-inch
6-32	10
8-32	15
10-32	25
1/4-20	53
5/16-18	105
3/8-16	192
1/2-13	600

Note: Do not twist elastomer during installation

Stud/Plate Mounts (6-32)



Style PP

Part No.	D	M	P (Depth)	Max. Shear (lbs.)	Max. Comp. (lbs.)
50908	3/8	1/2	6-32 (1/8)	3.5	4
50903*	9/16	1/2	6-32 (1/8)	4.5	9.5
50905*	9/16	1/2	6-32 (1/8)	6	18
50907*	9/16	1/2	6-32 (1/8)	9	26

Standard elastomer is Natural Rubber, (*) indicates Neoprene

Style PS

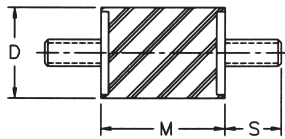
Part No.	D	M	6-32 x S	P (Depth)	Max. Shear (lbs.)	Max. Comp. (lbs.)
50168*	3/8	3/8	1/4	6-32 (5/32)#	3.4	4.4
50169*	3/8	5/16	1/4	6-32 (5/32)	3	4
50172*	3/8	5/16	3/16	6-32 (5/32)	3	4
50177*	3/8	5/16	3/8	6-32 (5/32)	4	5
50181	7/16	13/32	1/4	6-32 (1/8)	2.5	3.8
50184*	7/16	13/32	1/4	6-32 (1/8)	3.4	4.4
50194*	7/16	13/32	1/4	6-32 (1/8)	6.5	14.5
50171*	7/16	1/2	3/8	6-32 (5/32)#	3.5	4.5
50170*	7/16	1/2	3/8	6-32 (5/32)#	4.4	6
50176*	7/16	1/2	1/4	6-32 (5/32)#	4.4	6
50986*	7/16	1/2	1/4	6-32 (1/8)#	3.5	4.5
65021*	7/16	5/8	1/4	6-32 (1/8)	3	4
50838*	7/16	3/4	1/4	6-32 (1/8)	2.5	3.5

Standard elastomer is Natural Rubber, (*) indicates Neoprene (#) indicates blind insert

Style SS

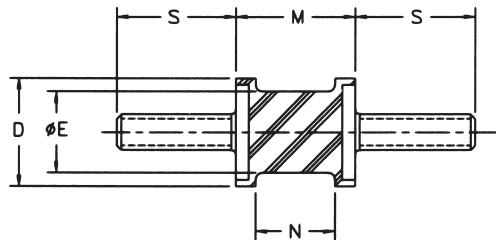
Part No.	D	M	6-32 x S	Max. Shear (lbs.)	Max. Comp. (lbs.)
50178	7/16	13/32	1/4	3	4
50179	7/16	13/32	1/4	3.2	5
50196	7/16	13/32	3/8 - 1/4	3	4

Stud/Plate Mounts (8-32)



Part No.	D (Square)	M	8-32 x S	Max. Shear (lbs.)	Max. Comp. (lbs.)
51007*	3/8	5/16	3/8	4	6.2
51010	3/8	5/16	7/32	9	13
51011	3/8	5/16	7/32	3	4.5
51013	3/8	5/16	7/32	4	6.2
51014*	3/8	5/16	3/8 - 9/16	8	11.8
51015*	3/8	5/16	7/32	3	4.5
51017	3/8	5/16	3/8	3.5	5.2
51019	3/8	5/16	3/8	3	4.5
51025*	3/8	5/16	7/32	4	6.2
51026	3/8	5/16	7/32 - 9/16	8	11.8
51407	3/8	1/2	7/32	3	5
51001	3/8	1/2	3/8	3	5
51002	3/8	1/2	3/8	3.6	6.2
51003	3/8	1/2	3/8	5.7	10
51004	3/8	1/2	3/8	7	13.5

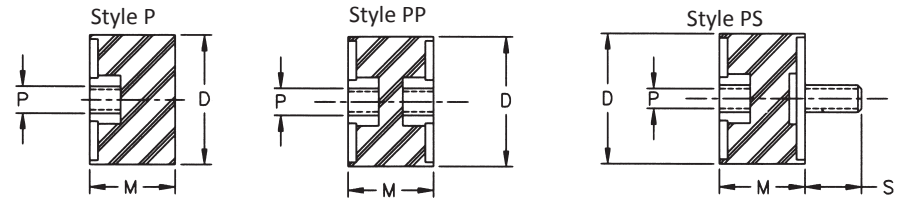
Standard elastomer is Natural Rubber, (*) indicates Neoprene



Part No.	D (Square)	E (Dia.)	M	N	8-32 x S	Max. Shear (lbs.)	Max. Comp. (lbs.)
51021	1/2	3/8	9/16	3/8	9/16	2.8	6.8
51022	1/2	3/8	9/16	3/8	9/16	3.3	8.5
51023*	1/2	3/8	9/16	3/8	9/16	5.3	12
51024*	1/2	3/8	9/16	3/8	9/16	7.5	14.5

Standard elastomer is Natural Rubber, (*) indicates Neoprene

Stud/Plate Mounts (8-32)



Style P

Part No.	D	M	P	Max. Shear (lbs.)	Max. Comp. (lbs.)
51110	7/16	1/2	8-32	-	4.5
51112	7/16	1/2	8-32	-	8
51060	9/16	1/2	8-32	-	9.5
51062	9/16	1/2	8-32	-	18

P thread depth is minimum one thread diameter

Style PP

Part No.	D	M	P	Max. Shear (lbs.)	Max. Comp. (lbs.)
51100	7/16	1/2	8-32	3.3	4.5
51102	7/16	1/2	8-32	4.8	8
51050	9/16	1/2	8-32	4.5	9.5
51051	9/16	1/2	8-32	5	14
51052	9/16	1/2	8-32	6	18
51053	9/16	1/2	8-32	7	22
65024*	9/16	1/2	8-32	8	25

P thread depth is minimum one thread diameter

Style PS

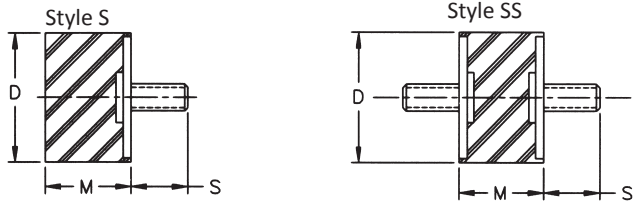
Part No.	D	M	8-32 x S	P	Max. Shear (lbs.)	Max. Comp. (lbs.)
51090	7/16	1/2	3/8	8-32	3.3	4.5
51092	7/16	1/2	3/8	8-32	4.8	8
51040	9/16	1/2	1/4	8-32	4.5	9.5
51041	9/16	1/2	1/4	8-32	5.4	14
51042	9/16	1/2	3/8	8-32	6	18
51044	9/16	1/2	3/8	8-32	4.5	9.5
51056*	9/16	1/2	3/8	8-32	6	18
51058	9/16	1/2	3/8	8-32#	4.5	9.5
51067	9/16	1/2	3/8	8-32	4.5	9.5

Standard elastomer is Natural Rubber, (*) indicates Neoprene

P thread depth is minimum one thread diameter

(#) indicates blind insert

Stud/Plate Mounts (8-32)



Style S

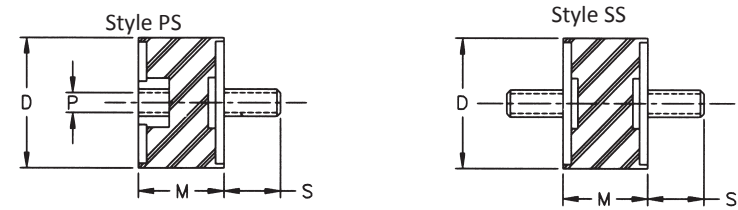
Part No.	D	M	8-32 x S	Max. Shear (lbs.)	Max. Comp. (lbs.)
51120	7/16	1/2	3/8	-	4.5
51122	7/16	1/2	3/8	-	8
51070	9/16	1/2	3/8	-	9.5
51072	9/16	1/2	3/8	-	18

Style SS

Part No.	D	M	8-32 x S	Max. Shear (lbs.)	Max. Comp. (lbs.)
50912	3/8	1/2	3/8	1.5	10
50913	3/8	1/2	3/8	3	17
50914	3/8	1/2	3/8	2	13
50915	3/8	1/2	3/8	1	7
50916*	3/8	1/2	3/8	0.5	4
50917*	3/8	1/2	3/8	1	7
50918*	3/8	1/2	3/8	1.5	10
50919*	3/8	1/2	3/8	3	17
50920*	3/8	1/2	3/8	4.5	23
51081	7/16	1/2	3/8	3.3	4.5
51082	7/16	1/2	3/8	3.9	6.4
51083*	7/16	1/2	3/8	4.8	8
51084*	7/16	1/2	3/8	3.3	4.5
51031	9/16	1/2	3/8	4.5	9.5
51032	9/16	1/2	3/8	5.2	13
51033*	9/16	1/2	3/8	6	18
51034*	9/16	1/2	3/8	13	25
51036	9/16	1/2	1/2	4.5	9.5
51055*	9/16	1/2	1/2	13	25

Standard elastomer is Natural Rubber, (*) indicates Neoprene

Stud/Plate Mounts (10-32)



Style PS

Part No.	D	M	S	P	Max. Shear (lbs.)	Max. Comp. (lbs.)
51045	9/16	1/2	8-32 x 3/8	10-32	4.5	9.5
51047	9/16	1/2	10-32 x 3/8	10-32	6	18
51059*	9/16	1/2	10-32 x 3/8	10-32	5	16
51066	9/16	1/2	10-32 x 3/8	8-32	4.5	9.5
51068	9/16	1/2	10-32 x 3/8	8-32	6	18
51136	1	3/4	10-32 x 3/8	10-32	24	55

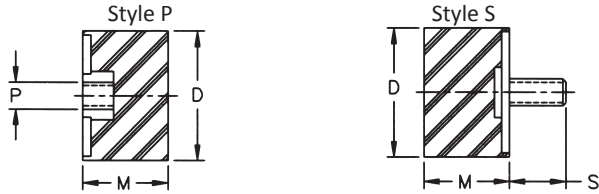
P thread depth is minimum one thread diameter

Style SS

Part No.	D	M	10-32 x S	Max. Shear (lbs.)	Max. Comp. (lbs.)
51037*	9/16	1/2	3/8	6	18
51048	9/16	1/2	3/8 - 3/16	6	18
51057	9/16	1/2	3/8	5	16
51135	1	3/4	3/8	15	44

Standard elastomer is Natural Rubber, (*) indicates Neoprene

Stud/Plate Mounts (1/4-20)



Style P

Part No.	D	M	P	Max. Shear (lbs.)	Max. Comp. (lbs.)
51205*	3/4	1/2	1/4-20	-	34
50938*	1	17/32	1/4-20	-	70
51181	1	3/4	1/4-20	-	45

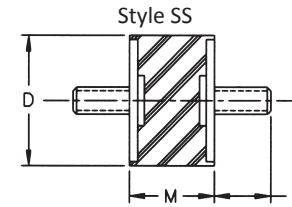
P thread depth is minimum one thread diameter

Style S

Part No.	D	M	1/4-20 x S	Max. Shear (lbs.)	Max. Comp. (lbs.)
51494*	3/4	1/2	3/4	-	30
51138	1	17/32	3/8	-	40
51139	1	17/32	3/8	-	70
51140	1	17/32	3/8	-	100
51581	1	41/64	1/2	-	35
51185	1	3/4	1/2	-	44
51187	1	3/4	1/2	-	55
51191*	1	3/4	7/8	-	55
50783*	1	27/32	3/4	-	50
51195*	1	1	1/2	-	50
51196	1	1	3/8	-	70
51197	1	1	1/4	-	70
50889*	1	1	3/4	-	70
50828*	1 1/4	3/4	5/8	-	120
51176*	1 1/4	1	1/4	-	70

Standard elastomer is Natural Rubber, (*) indicates Neoprene

Stud/Plate Mounts (1/4-20)



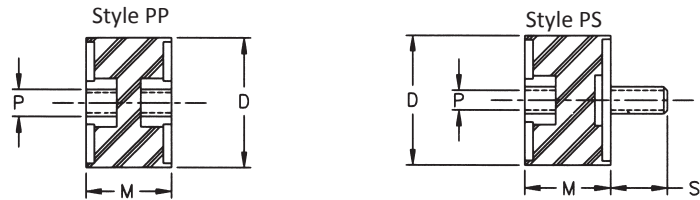
Style SS

Part No.	D	M	1/4-20 x S	Max. Shear (lbs.)	Max. Comp. (lbs.)
50820*	3/4	1/2	1/2	12	28
50859*	1	3/8	1/2	30	60
51123*	1	17/32	1/2	30	45
51127	1	17/32	3/8	30	45
51128	1	17/32	3/8	34	70
51130	1	17/32	1/2 - 1/4	32	45
51131	1	17/32	1/2	15	44
51132	1	17/32	1/2	30	45
51133	1	17/32	1/2	34	70
50965*	1	1/2	1/2	35	70
51154*	1	3/4	3/8	21	55
51186*	1	3/4	3/8	25	60
51141	1	3/4	1/2	15	44
51142	1	3/4	1/2	18	50
51143	1	3/4	1/2	21	55
51144*	1	3/4	1/2	18	50
51146*	1	3/4	1/2	21	55
50855*	1	3/4	1/2	25	60
51173*	1	3/4	1/2	15	44
51147	1	3/4	5/8	18	50
51148*	1	3/4	5/8	25	60
51150*	1	3/4	3/4	15	44
51152	1	3/4	3/4	21	55
51153*	1	3/4	3/4	21	55
51158	1	3/4	3/4	18	50
51160*	1	3/4	3/4	25	60
51155*	1	3/4	1/4 - 5/8	25	60
51289	1	3/4	3/8 - 1/2	30	70
51157*	1	3/4	1/2 - 3/4	25	60
50888*	1	3/4	1/2 - 3/4	21	55
51184*	1	3/4	1/2 - 3/4	15	44
51159	1	3/4	1/2 - 1	30	70
51164*	1	1	1/2	12	35
51290*	1 1/8	1 1/2	5/8	10	20
50773	1 1/4	1 1/4	5/8	30	80

Standard elastomer is Natural Rubber, (*) indicates Neoprene

Standard inserts are zinc plated

Stud/Plate Mounts (1/4-20)



Style PP

Part No.	D	M	P	Max. Shear (lbs.)	Max. Comp. (lbs.)
50924	1	3/4	1/4-20	25	65
51172	1	3/4	1/4-20	20	55

P thread depth is minimum one thread diameter

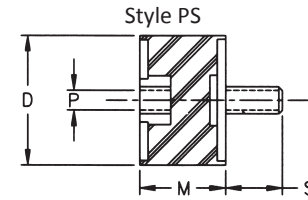
Style PS

Part No.	D	M	1/4-20 x S	P	Max. Shear (lbs.)	Max. Comp. (lbs.)
50823*	5/8	5/8	1/2	1/4-20	5	15
51201*	3/4	1/2	1/2	1/4-20	8	21
51202*	3/4	1/2	1/2	1/4-20	12	28
51203*	3/4	1/2	1/2	1/4-20	16	34
51204*	3/4	1/2	1/2	1/4-20	20	40
50839*	1	1/2	1/2	1/4-20	35	70
51129*	1	17/32	1/2	1/4-20	32	45
51145*	1	3/4	1/2	1/4-20	18	50
51151*	1	3/4	3/8	1/4-20	24	55
51156*	1	3/4	3/8	1/4-20	28	65
51161	1	3/4	1/2	1/4-20	18	45
51162	1	3/4	1/2	1/4-20	20	50
51163	1	3/4	1/2	1/4-20	21	55
51166*	1	3/4	1/2	1/4-20	35	75
51188*	1	3/4	1/2	1/4-20	30	65
51582	1	3/4	3/4	1/4-20	18	45
51137	1	1	1/2	1/4-20	10	30
51198*	1	1	1/2	1/4-20	20	50
50782*	1	1	3/4	1/4-20	15	40

Standard elastomer is Natural Rubber, (*) indicates Neoprene

P thread depth is minimum one thread diameter

Stud/Plate Mounts (5/16-18)



Style PS

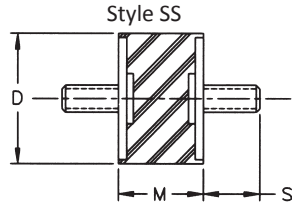
Part No.	D	M	5/16-18 x S	P	Max. Shear (lbs.)	Max. Comp. (lbs.)
51283*	1	1/2	9/16	5/16-18	16	40
51284*	1	1/2	9/16	5/16-18	22	45
51285*	1	1/2	9/16	5/16-18	35	70
51286*	1	1/2	9/16	5/16-18	40	78
50835*^	1	3/4	3/8	5/16-18	40	80
51234	1	3/4	1/2	5/16-18	16	45
51258	1	3/4	9/16	5/16-18	40	80
51276*	1	3/4	5/16	5/16-18	16	45
51277*	1	3/4	5/16	5/16-18	19	52
51278*	1	3/4	5/16	5/16-18	25	62
51279*	1	3/4	5/16	5/16-18	31	70
51313*	1 1/4	1	3/4	5/16-18	25	72
51314*	1 1/4	1	3/4	5/16-18	38	92
51327*	1 1/4	1 1/4	9/16	5/16-18	21	41
51328*	1 1/4	1 1/4	9/16	5/16-18	31	64
51329*	1 1/4	1 1/4	9/16	5/16-18	45	86
51330*	1 1/4	1 1/4	9/16	5/16-18	63	120
50780*	1 1/4	1 1/4	3/4	5/16-18	63	120
50817*	1 1/4	1 1/4	3/4	5/16-18	85	175
51352	1 3/8	1	9/16	5/16-18	66	96
65007*^	1 3/8	1	9/16	5/16-18	66	96
50928*	1 3/8	1 1/2	5/8	5/16-18	55	100
50975*	1 3/8	1 1/2	5/8	5/16-18	65	125
51376	1 1/2	1	9/16	5/16-18	30	95
51377	1 1/2	1	9/16	5/16-18	40	135
51378	1 1/2	1	9/16	5/16-18	50	185
51379	1 1/2	1	9/16	5/16-18	65	210
51400*	1 1/2	1	5/8	5/16-18	45	185
51542*	1 1/2	1	9/16	5/16-18	40	135

Standard elastomer is Natural Rubber, (*) indicates Neoprene

P thread depth is minimum one thread diameter

Standard inserts are zinc plated, (^) indicates phosphate finish

Stud/Plate Mounts (5/16-18)

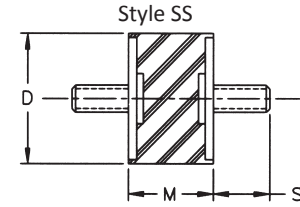


Style SS

Part No.	D	M	5/16-18 x S	Max. Shear (lbs.)	Max. Comp. (lbs.)
50852*^	1	1/2	5/8	45	90
51239	1	3/4	3/8	22	55
51240*	1	3/4	3/8	22	58
51241	1	3/4	9/16	15	44
51242	1	3/4	9/16	18	50
51243	1	3/4	9/16	22	58
51247	1	3/4	5/8	15	44
51251	1	3/4	3/4	15	44
51252	1	3/4	3/4	18	50
51253	1	3/4	3/4	22	58
51257*	1	3/4	9/16	22	58
51260*	1	3/4	1/2 - 7/8	22	50
51280*	1	3/4	1/2 - 7/8	18	50
51282*	1	3/4	1/2 - 7/8	25	60
51262*	1	1	9/16	12	35
51263	1	1	9/16	16	42
51265	1	1	3/4	35	70
51266	1	1	3/4	8	25
51267	1	1	3/4	12	35
51270	1	1	1/2 - 3/4	12	35
50825	1	1	1/2	30	70
51296	1	1 1/2	5/8	20	45
51296-1	1	1 1/2	5/8	28	60
50798*	1 1/4	3/4	9/16	25	60
51301	1 1/4	3/4	9/16	36	87
51302	1 1/4	3/4	9/16	43	98
51303	1 1/4	3/4	9/16	52	120
51304	1 1/4	3/4	9/16	45	93
51305*	1 1/4	3/4	1/2 - 3/4	45	93
51306	1 1/4	3/4	3/4	36	87
51307	1 1/4	3/4	3/4	43	98
51308	1 1/4	3/4	3/4	52	120
51310	1 1/4	3/4	5/8	43	98
51311	1 1/4	1	9/16	31	81
51312	1 1/4	1	9/16	38	92

Standard elastomer is Natural Rubber, (*) indicates Neoprene
Standard inserts are zinc plated, (^) indicates phosphate finish

Stud/Plate Mounts (5/16-18)

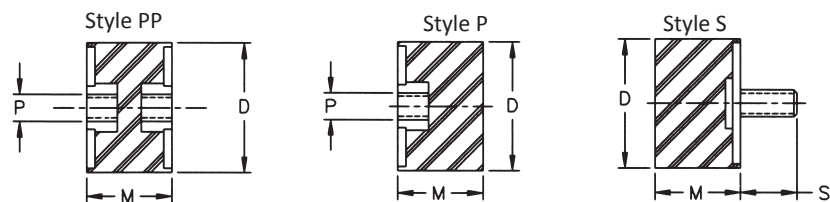


Style SS

Part No.	D	M	5/16-18 x S	Max. Shear (lbs.)	Max. Comp. (lbs.)
51315	1 1/4	1	3/4	31	81
51316	1 1/4	1	3/4	38	92
51297*	1 1/4	1 1/4	5/8	27	76
51298*	1 1/4	1 1/4	5/8	34	86
51299*	1 1/4	1 1/4	5/8	60	120
51320	1 1/4	1 1/4	9/16	21	42
51321	1 1/4	1 1/4	9/16	27	76
51322	1 1/4	1 1/4	9/16	34	86
51325	1 1/4	1 1/4	3/4	27	76
51326	1 1/4	1 1/4	3/4	34	86
51337*	1 1/4	1 1/4	9/16	60	120
51344*	1 1/4	1 1/4	7/8	27	47
51345	1 1/4	1 1/4	7/8	34	86
51349	1 1/4	1 1/4	3/4	60	120
51480*	1 3/8	5/8	5/8	35	85
51481*	1 3/8	5/8	5/8	45	120
51482*	1 3/8	5/8	5/8	55	155
51483*	1 3/8	5/8	5/8	65	185
51484*	1 3/8	5/8	5/8	75	225
50136*	1 3/8	1	1 1/4	87	125
51340	1 3/8	1	9/16	27	47
51341	1 3/8	1	9/16	41	74
51342	1 3/8	1	9/16	66	96
51343	1 3/8	1	9/16	76	105
51348	1 3/8	1	7/8 - 1	66	96
51353*	1 3/8	1	3/4	27	47
51354*	1 3/8	1	3/4	41	74
51355*	1 3/8	1	3/4	66	96
51356*	1 3/8	1	3/4	76	105
51357*	1 3/8	1	3/4	87	125
51358	1 3/8	1	3/4	76	105
65028*^	1 3/8	1	3/4	76	105
51401*	1 1/2	1	5/8	45	185
51460*	2	1 1/4	5/8	50	150
51462*	2	1 1/4	5/8	100	250

Standard elastomer is Natural Rubber, (*) indicates Neoprene
Standard inserts are zinc plated, (^) indicates phosphate finish

Stud/Plate Mounts (5/16-18)



Style PP

Part No.	D	M	P	Max. Shear (lbs.)	Max. Comp. (lbs.)
51272*	1	1	5/16-18	10	25
51275*	1	1	5/16-18	28	65
51318	1 ¼	1 ¼	5/16-18	24	42
51323	1 ¼	1 ¼	5/16-18	27	76
51324	1 ¼	1 ¼	5/16-18	34	86
50137*	1 ¾	1	5/16-18	90	125

P thread depth is minimum one thread diameter

Style P

Part No.	D	M	P	Max. Shear (lbs.)	Max. Comp. (lbs.)
51254	1	3/4	5/16-18	-	44
51335	1 ¼	3/4	5/16-18	-	120

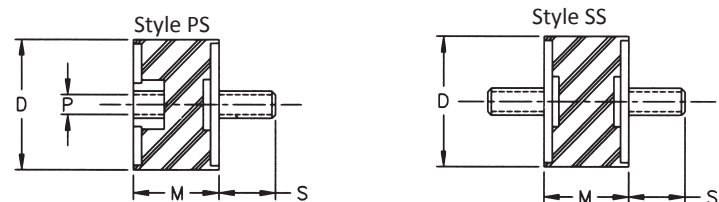
P thread depth is minimum one thread diameter

Style S

Part No.	D	M	5/16-18 x S	Max. Shear (lbs.)	Max. Comp. (lbs.)
50983^	1	3/8	1 1/4	-	50
51255	1	17/32	9/16	-	50
51244	1	3/4	5/8	-	58
50840^	1	3/4	1 1/4	-	58
50818	1	1	5/8	-	42
51331	1 ¼	3/4	3/4	-	100
51332	1 ¼	3/4	3/4	-	120
51334*	1 ¼	3/4	9/16	-	120
51336*	1 ¼	3/4	1/2	-	120
51319*	1 ¼	1	9/16	-	120
51466	2	1 ¾	3/4	-	150
51467	2	1 ¾	3/4	-	200
51468	2	1 ¾	3/4	-	250
51469	2	1 ¾	3/4	-	290
51470	2	1 ¾	3/4	-	325

Standard elastomer is Natural Rubber, (*) indicates Neoprene
Standard inserts are zinc plated, (^) indicates phosphate finish

Stud/Plate Mounts (3/8-16)



Style PS

Part No.	D	M	3/8-16 x S	P	Max. Shear (lbs.)	Max. Comp. (lbs.)
51588*	1 ½	7/8	5/8	3/8-16	70	250
51380	1 ½	1	5/8	3/8-16	30	95
51381	1 ½	1	5/8	3/8-16	40	135
51382	1 ½	1	5/8	3/8-16	50	185
51383	1 ½	1	5/8	3/8-16	65	210
51384	1 ½	1	5/8	3/8-16	80	270
50868-1*	2 ½	1	7/8	3/8-16	85	200
50868-2*	2 ½	1	7/8	3/8-16	110	250
50868-3*	2 ½	1	7/8	3/8-16	150	325
50868-4*	2 ½	1	7/8	3/8-16	190	425
50868-5*	2 ½	1	7/8	3/8-16	220	500

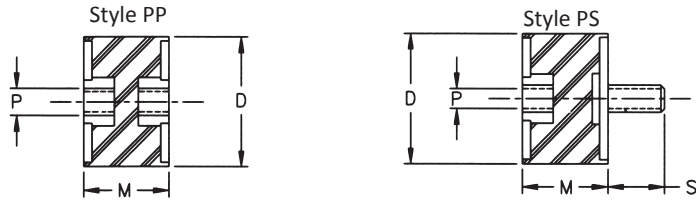
P thread depth is minimum one thread diameter

Style SS

Part No.	D	M	3/8-16 x S	Max. Shear (lbs.)	Max. Comp. (lbs.)
51390	1 ½	1	5/8	30	95
51391	1 ½	1	5/8	40	135
51392	1 ½	1	5/8	50	185
51393	1 ½	1	5/8	65	210
51394	1 ½	1	5/8	80	270
51395	1 ½	1	3/4	30	95
51396	1 ½	1	3/4	40	135
51397	1 ½	1	3/4	50	185
51398*	1 ½	1	3/4	65	210
51399*	1 ½	1	3/4	80	270
51620-1	2 ½	1	7/8	85	200
51620-2	2 ½	1	7/8	110	250
51620-3	2 ½	1	7/8	150	325
51620-4	2 ½	1	7/8	190	425
51620-5	2 ½	1	7/8	220	500

Standard elastomer is Natural Rubber, (*) indicates Neoprene

Stud/Plate Mounts (1/2-13)



Style PP

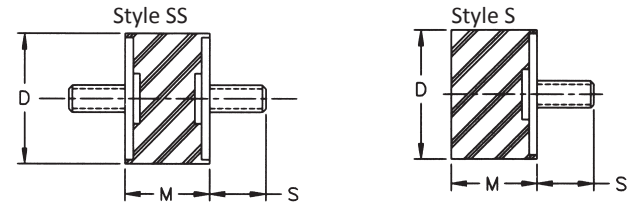
Part No.	D	M	P (Depth)	Max. Shear (lbs.)	Max. Comp. (lbs.)
51415*	2	1 11/16	1/2-13 (1/2)#	80	180
51416*	2	1 11/16	1/2-13 (1/2)#	100	210
51417*	2	1 11/16	1/2-13 (1/2)#	150	275
51418*	2	1 11/16	1/2-13 (1/2)#	200	340
51419*	2	1 11/16	1/2-13 (1/2)#	240	420
51553-1*	3 7/8	1 1/2	1/2-13 (1/2)	60	450
51553-2*	3 7/8	1 1/2	1/2-13 (1/2)	90	660
51553-3*	3 7/8	1 1/2	1/2-13 (1/2)	130	950
51553-4*	3 7/8	1 1/2	1/2-13 (1/2)	175	1260
51553-5*	3 7/8	1 1/2	1/2-13 (1/2)	220	1550
51555-1*	3 7/8	3	1/2-13 (1/2)	38	250
51555-2*	3 7/8	3	1/2-13 (1/2)	65	410
51555-3*	3 7/8	3	1/2-13 (1/2)	105	690
51555-4*	3 7/8	3	1/2-13 (1/2)	140	910
51555-5*	3 7/8	3	1/2-13 (1/2)	185	1190

Style PS

Part No.	D	M	1/2-13 x S	P	Max. Shear	Max. Comp.
51386*	1 1/4	1 1/4	3/4	1/2-13 (3/8)	38	80
51388*	1 1/4	1 1/4	3/4	1/2-13 (3/8)	72	130
51420*	2	1 11/16	1 7/8	1/2-13 (1/2)#	70	160
51421*	2	1 11/16	1 7/8	1/2-13 (1/2)#	90	200
51422*	2	1 11/16	1 7/8	1/2-13 (1/2)#	140	260
51423*	2	1 11/16	1 7/8	1/2-13 (1/2)#	185	340
51424*	2	1 11/16	1 7/8	1/2-13 (1/2)#	225	410
51551-1*	3 7/8	1 1/2	1 5/8	1/2-13 (1/2)	80	360
51551-2*	3 7/8	1 1/2	1 5/8	1/2-13 (1/2)	110	540
51551-3*	3 7/8	1 1/2	1 5/8	1/2-13 (1/2)	145	760
51551-4*	3 7/8	1 1/2	1 5/8	1/2-13 (1/2)	215	980
51551-5*	3 7/8	1 1/2	1 5/8	1/2-13 (1/2)	285	1815
51557-1*	3 7/8	3	1 5/8	1/2-13 (1/2)	38	250
51557-2*	3 7/8	3	1 5/8	1/2-13 (1/2)	65	410
51557-3*	3 7/8	3	1 5/8	1/2-13 (1/2)	105	690
51557-4*	3 7/8	3	1 5/8	1/2-13 (1/2)	140	910
51557-5*	3 7/8	3	1 5/8	1/2-13 (1/2)	185	1190

Standard elastomer is Natural Rubber, (*) indicates Neoprene, (#) indicates blind insert

Stud/Plate Mounts (1/2-13)



Style SS

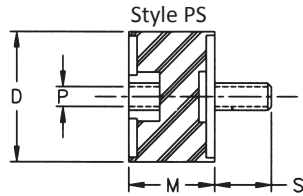
Part No.	D	M	1/2-13 x S	Max. Shear (lbs.)	Max. Comp. (lbs.)
51385	1 1/4	1 1/4	3/4	29	76
51387*	1 1/4	1 1/4	3/4	63	120
51410*	2	1 11/16	1 1/8	60	160
51411*	2	1 11/16	1 1/8	80	200
51412*	2	1 11/16	1 1/8	125	260
51413*	2	1 11/16	1 1/8	175	335
51414*	2	1 11/16	1 1/8	210	400
51552-1*	3 7/8	1 1/2	1 5/8	90	360
51552-2*	3 7/8	1 1/2	1 5/8	120	540
51552-3*	3 7/8	1 1/2	1 5/8	155	760
51552-4*	3 7/8	1 1/2	1 5/8	225	980
51552-5*	3 7/8	1 1/2	1 5/8	295	1815
51556-1*	3 7/8	3	1 5/8	38	250
51556-2*	3 7/8	3	1 5/8	65	410
51556-3*	3 7/8	3	1 5/8	105	690
51556-4*	3 7/8	3	1 5/8	140	910
51556-5*	3 7/8	3	1 5/8	185	1190

Style S

Part No.	D	M	1/2-13 x S	Max. Shear (lbs.)	Max. Comp. (lbs.)
50121*	1 1/4	3/4	3/4	-	90
50122*	1 1/4	3/4	3/4	-	150

Standard elastomer is Natural Rubber, (*) indicates Neoprene

Stud/Plate Mounts (Metric)

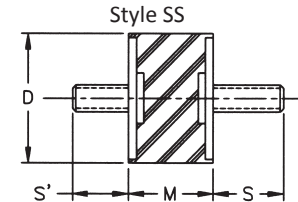


Style PS

Part No.	D	M	S	P	Max. Shear (lbs.)	Max. Comp. (lbs.)
50197*	9.5	8	M3x0.5 x 4	6-32	3	4.5
50198*	9.5	9.5	M3x0.5 x 4	6-32	3	4.5
51095	11	13	M4x0.7 x 6	M4x0.7	5	8
51095-1	11	13	M4x0.7 x 4	M4x0.7	5	8
51453*	19	16	M4x0.7 x 10	M4x0.7	25	50
65026-2*	25	13	M6x1.0 x 13	M6x1.0	32	45
51447*	25	19	M6x1.0 x 13	M6x1.0	22	58
50805*	25	19	M6x1.0 x 13	M6x1.0	40	80
50926*	25	25	M6x1.0 x 11.5	M6x1.0	12	35
50842*	25	25	M6x1.0 x 19	M6x1.0	8	25
50942*	25	25	M6x1.0 x 19	M6x1.0	12	35
50952*	25	25	M6x1.0 x 11.5	M6x1.0	35	70
65011*	25	19	M8x1.25 x 16	M8x1.25	25	60
51259	25	19	M8x1.25 x 14	M8x1.25	40	80
50947-1*	32	32	M8x1.25 x 14	M8x1.25	35	70
50947-2*	32	32	M8x1.25 x 14	M8x1.25	50	92
50947-3*	32	32	M8x1.25 x 14	M8x1.25	65	125
50898*^	38	25	M8x1.25 x 14	M8x1.25	80	270
51425-1*	51	43	M12x1.75 x 28	M12x1.75	70	160
51425-2*	51	43	M12x1.75 x 28	M12x1.75	90	200
51425-3*	51	43	M12x1.75 x 28	M12x1.75	140	260
51425-4*	51	43	M12x1.75 x 28	M12x1.75	185	340
51425-5*	51	43	M12x1.75 x 28	M12x1.75	225	410
51550-1*	79	38	M12x1.75 x 41	M12x1.75	80	360
51550-2*	79	38	M12x1.75 x 41	M12x1.75	110	540
51550-3*	79	38	M12x1.75 x 41	M12x1.75	145	760
51550-4*	79	38	M12x1.75 x 41	M12x1.75	215	980
51550-5*	79	38	M12x1.75 x 41	M12x1.75	285	1815
51554-1*	79	76	M12x1.75 x 41	M12x1.75	38	250
51554-2*	79	76	M12x1.75 x 41	M12x1.75	65	410
51554-3*	79	76	M12x1.75 x 41	M12x1.75	105	690
51554-4*	79	76	M12x1.75 x 41	M12x1.75	140	910
51554-5*	79	76	M12x1.75 x 41	M12x1.75	185	1190

Standard elastomer is Natural Rubber, (*) indicates Neoprene
 P thread depth is minimum one thread diameter
 Standard inserts are zinc plated, (^) indicates phosphate finish

Stud/Plate Mounts (Metric)

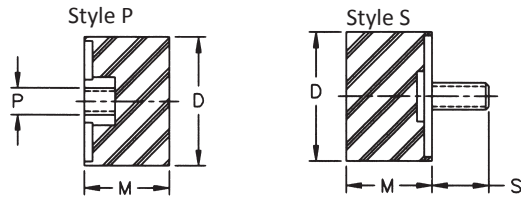


Style SS

Part No.	D	M	S	S'	Max. Shear (lbs.)	Max. Comp. (lbs.)
50957*	11	10	M3x0.5 x 6	M3x0.5 x 6	3	5
51098	11	13	M4x0.7 x 6	M4x0.7 x 6	5	8
51487**	19	13	M6x1.0 x 14	M6x1.0 x 14	12	28
50956*	25	13	M6x1.0 x 19	M6x1.0 x 19	22	45
50959-1*	25	19	M6x1.0 x 12	M6x1.0 x 12	15	44
50959-2*	25	19	M6x1.0 x 12	M6x1.0 x 12	18	50
50959-3*	25	19	M6x1.0 x 12	M6x1.0 x 12	21	55
50959-4*	25	19	M6x1.0 x 12	M6x1.0 x 12	25	60
50959-5*	25	19	M6x1.0 x 12	M6x1.0 x 12	30	70
50849*	25	19	M6x1.0 x 13	M6x1.0 x 13	15	44
50845-40*	25	19	M6x1.0 x 22	M6x1.0 x 14	18	50
50819*	25	19	M8x1.25 x 13	M8x1.25 x 13	21	55
51445*	25	19	M8x1.25 x 14	M8x1.25 x 14	40	80
51281*	25	19	M8x1.25 x 20	M8x1.25 x 20	20	54
65005*	25	19	M8x1.25 x 16	M8x1.25 x 10	25	60
50787*	25	19	M8x1.25 x 20	M8x1.25 x 10	40	80
50988*	32	32	M8x1.25 x 25	M8x1.25 x 25	27	76
50785*	35	25	M8x1.25 x 20	M8x1.25 x 20	41	74
50900*	64	25	M10x1.5 x 23	M10x1.5 x 23	110	250
51549-1*	79	38	M12x1.75 x 41	M12x1.75 x 41	90	360
51549-2*	79	38	M12x1.75 x 41	M12x1.75 x 41	120	540
51549-3*	79	38	M12x1.75 x 41	M12x1.75 x 41	155	760
51549-4*	79	38	M12x1.75 x 41	M12x1.75 x 41	225	980
51549-5*	79	38	M12x1.75 x 41	M12x1.75 x 41	295	1815
51561-1*	79	76	M12x1.75 x 41	M12x1.75 x 41	38	250
51561-2*	79	76	M12x1.75 x 41	M12x1.75 x 41	65	410
51561-3*	79	76	M12x1.75 x 41	M12x1.75 x 41	105	690
51561-4*	79	76	M12x1.75 x 41	M12x1.75 x 41	140	910
51561-5*	79	76	M12x1.75 x 41	M12x1.75 x 41	185	1190

Standard elastomer is Natural Rubber, (*) indicates Neoprene, (**) indicates Nitrile

Stud/Plate Mounts (Metric)



Style P

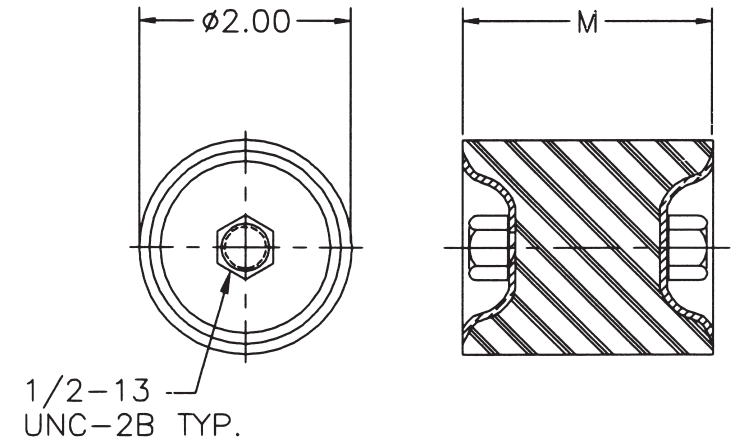
Part No.	D	M	P	Max. Shear (lbs.)	Max. Comp. (lbs.)
51075	19	13	M5 x 0.8	-	35
50955*	19	13	M6 x 1.0	-	35

Style S

Part No.	D	M	S	Max. Shear (lbs.)	Max. Comp. (lbs.)
50833*	25	9.5	M6x1.0 x 13	-	35
50841*	25	21.5	M6x1.0 x 19	-	40
50941*	25	21.5	M6x1.0 x 19	-	55
50834	38	25	M8x1.25 x 14	-	270

Standard elastomer is Natural Rubber, (*) indicates Neoprene

Dish End Plate/Plate Mounts

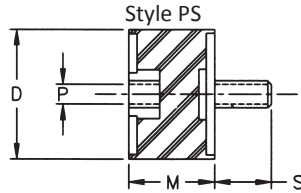


Part No.	M	Max. Shear (lbs.)	Shear Stiffness (lbs./in.)	Max. Comp. (lbs.)	Comp. Stiffness (lbs./in.)
51496-1N	1 3/4	45	210	95	1200
51496-2N	1 3/4	55	280	130	1625
51496-3N	1 3/4	85	420	190	2375
51496-4N	1 3/4	130	650	290	3625
51497-1N	2 1/8	30	150	90	735
51497-2N	2 1/8	45	220	115	960
51497-3N	2 1/8	60	290	165	1375
51497-4N	2 1/8	100	485	265	2200
51498-1N	2 5/8	20	100	85	520
51498-2N	2 5/8	27	135	110	675
51498-3N	2 5/8	37	180	170	1050
51498-4N	2 5/8	65	315	260	1625

Elastomer = Neoprene

Inserts = Low Carbon Steel (Optional Stainless Steel Available)

Silicone Stud/Plate Mounts

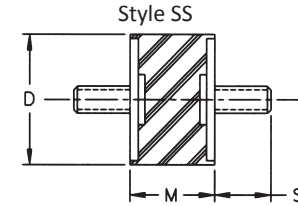


Style PS

Part No.	D	M	S	P	Max. Shear (lbs.)	Max. Comp. (lbs.)
50861-1	1	3/4	1/4-20 x 1/2	1/4-20	8	25
50861-2	1	3/4	1/4-20 x 1/2	1/4-20	12	35
50861-3	1	3/4	1/4-20 x 1/2	1/4-20	16	50
50861-4	1	3/4	1/4-20 x 1/2	1/4-20	22	65
50861-5	1	3/4	1/4-20 x 1/2	1/4-20	30	90
50862-1	1 1/4	3/4	5/16-18 x 5/8	5/16-18	12	50
50862-2	1 1/4	3/4	5/16-18 x 5/8	5/16-18	22	75
50862-3	1 1/4	3/4	5/16-18 x 5/8	5/16-18	30	100
50862-4	1 1/4	3/4	5/16-18 x 5/8	5/16-18	40	150
50862-5	1 1/4	3/4	5/16-18 x 5/8	5/16-18	55	180
50863-1	1 1/2	1	5/16-18 x 5/8	5/16-18	15	60
50863-2	1 1/2	1	5/16-18 x 5/8	5/16-18	20	90
50863-3	1 1/2	1	5/16-18 x 5/8	5/16-18	30	125
50863-4	1 1/2	1	5/16-18 x 5/8	5/16-18	45	175
50863-5	1 1/2	1	5/16-18 x 5/8	5/16-18	55	225
50860-1	1	3/4	M6x1.0 x 12mm	M6x1.0	8	25
50860-2	1	3/4	M6x1.0 x 12mm	M6x1.0	12	35
50860-3	1	3/4	M6x1.0 x 12mm	M6x1.0	16	50
50860-4	1	3/4	M6x1.0 x 12mm	M6x1.0	22	65
50860-5	1	3/4	M6x1.0 x 12mm	M6x1.0	30	90
65012-1	1 1/4	3/4	M8x1.25 x 16mm	M8x1.25	12	50
65012-2	1 1/4	3/4	M8x1.25 x 16mm	M8x1.25	22	75
65012-3	1 1/4	3/4	M8x1.25 x 16mm	M8x1.25	30	100
65012-4	1 1/4	3/4	M8x1.25 x 16mm	M8x1.25	40	150
65012-5	1 1/4	3/4	M8x1.25 x 16mm	M8x1.25	55	180
65013-1	1 1/2	1	M8x1.25 x 16mm	M8x1.25	15	60
65013-2	1 1/2	1	M8x1.25 x 16mm	M8x1.25	20	90
65013-3	1 1/2	1	M8x1.25 x 16mm	M8x1.25	30	125
65013-4	1 1/2	1	M8x1.25 x 16mm	M8x1.25	45	175
65013-5	1 1/2	1	M8x1.25 x 16mm	M8x1.25	55	225

Note: Operating temperature range for Silicone mounts is -80° to 300°F

Silicone Stud/Plate Mounts

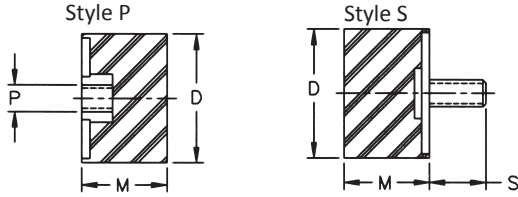


Style SS

Part No.	D	M	S	Max. Shear (lbs.)	Max. Comp. (lbs.)
50869-1	1	1/2	1/4-20 x 1/2	8	40
50869-2	1	1/2	1/4-20 x 1/2	12	60
50869-3	1	1/2	1/4-20 x 1/2	16	80
50869-4	1	1/2	1/4-20 x 1/2	20	100
50869-5	1	1/2	1/4-20 x 1/2	28	140
50870-1	1	3/4	1/4-20 x 1/2	8	25
50870-2	1	3/4	1/4-20 x 1/2	12	35
50870-3	1	3/4	1/4-20 x 1/2	16	50
50870-4	1	3/4	1/4-20 x 1/2	22	65
50870-5	1	3/4	1/4-20 x 1/2	30	90
50871-1	1 1/4	3/4	5/16-18 x 5/8	12	50
50871-2	1 1/4	3/4	5/16-18 x 5/8	22	75
50871-3	1 1/4	3/4	5/16-18 x 5/8	30	100
50871-4	1 1/4	3/4	5/16-18 x 5/8	40	150
50871-5	1 1/4	3/4	5/16-18 x 5/8	55	180
50872-1	1 1/2	1	5/16-18 x 5/8	15	60
50872-2	1 1/2	1	5/16-18 x 5/8	20	90
50872-3	1 1/2	1	5/16-18 x 5/8	30	125
50872-4	1 1/2	1	5/16-18 x 5/8	45	175
50872-5	1 1/2	1	5/16-18 x 5/8	55	225
50873-1	1	3/4	M6x1.0 x 12mm	8	25
50873-2	1	3/4	M6x1.0 x 12mm	12	35
50873-3	1	3/4	M6x1.0 x 12mm	16	50
50873-4	1	3/4	M6x1.0 x 12mm	22	65
50873-5	1	3/4	M6x1.0 x 12mm	30	90
65016-1	1 1/4	3/4	M8x1.25 x 16mm	12	50
65016-2	1 1/4	3/4	M8x1.25 x 16mm	22	75
65016-3	1 1/4	3/4	M8x1.25 x 16mm	30	100
65016-4	1 1/4	3/4	M8x1.25 x 16mm	40	150
65016-5	1 1/4	3/4	M8x1.25 x 16mm	55	180
65017-1	1 1/2	1	M8x1.25 x 16mm	15	60
65017-2	1 1/2	1	M8x1.25 x 16mm	20	90
65017-3	1 1/2	1	M8x1.25 x 16mm	30	125
65017-4	1 1/2	1	M8x1.25 x 16mm	45	175
65017-5	1 1/2	1	M8x1.25 x 16mm	55	225

Note: Operating temperature range for Silicone mounts is -80° to 300°F

Silicone Stud/Plate Mounts



Style P

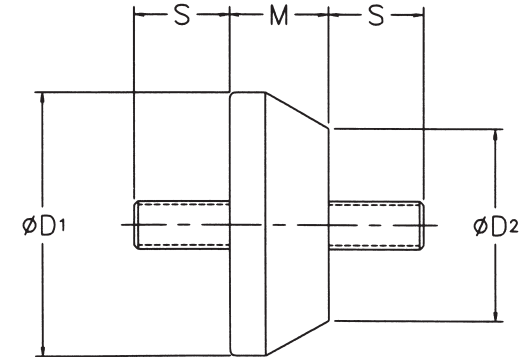
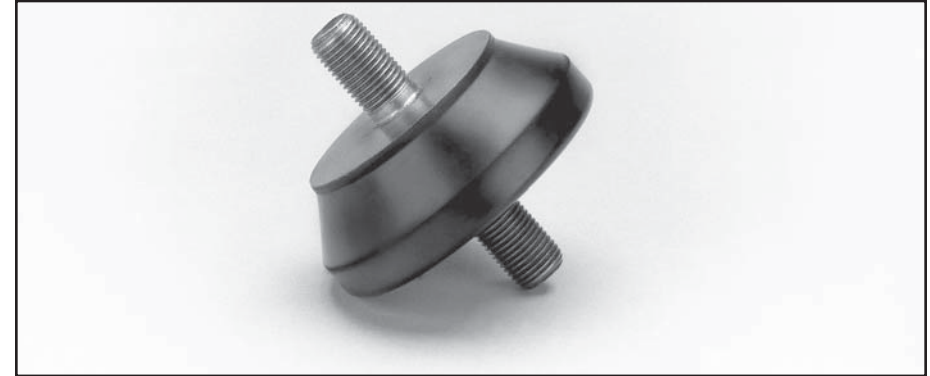
Part No.	D	M	P	Max. Shear (lbs.)	Max. Comp. (lbs.)
50790-1	1	3/4	1/4-20	-	25
50790-5	1	3/4	1/4-20	-	90
50792-1	1 1/2	1	5/16-18	-	60
50792-5	1 1/2	1	5/16-18	-	225

Style S

Part No.	D	M	S	Max. Shear (lbs.)	Max. Comp. (lbs.)
50789-1	1	3/4	1/4-20 x 1/2	-	25
50789-5	1	3/4	1/4-20 x 1/2	-	90
50791-1	1 1/2	1	5/16-18 x 5/8	-	60
50791-5	1 1/2	1	5/16-18 x 5/8	-	225

Note: Operating temperature range for Silicone mounts is -80° to 300°F

Conical Stud/Plate Mounts



1/2-13

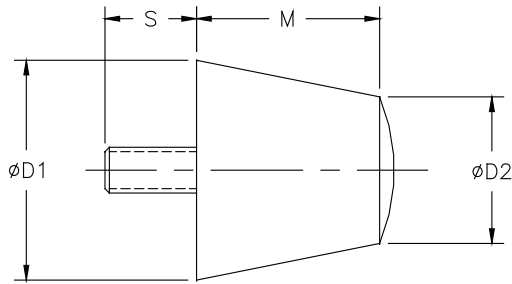
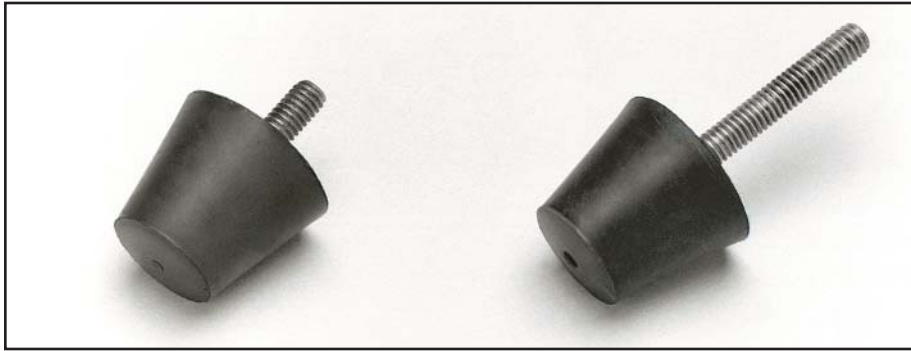
Part No.	D1	D2	M	S	Max. Shear (lbs.)	Max. Comp. (lbs.)
50144*	2 3/4	2	1 1/32	1 1/4	140	260
50145*				1 1/4	165	340
50146*				1 1/4	190	430
50151				1	140	260
50152				1	165	340
50153				1	190	430

Standard elastomer is Natural Rubber, (*) indicates Neoprene

1/2-20

Part No.	D1	D2	M	S	Max. Shear (lbs.)	Max. Comp. (lbs.)
50148	2 3/4	2	1 1/32	29/32	140	260
50149				29/32	165	340
50150				29/32	190	430

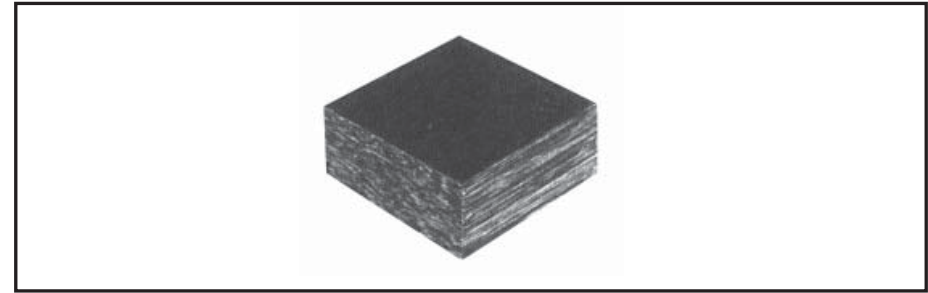
Conical Bumpers



Part No.	D1	D2	M	5/16-18 x S	Max. Shear (lbs.)	Max. Comp. (lbs.)
51360*	1 1/2	1	1 1/4	9/16	44	90
51361				9/16	49	100
51362				9/16	56	125
51363*				9/16	62	150
51364*				3/4	45	95
51365*				3/4	62	150
51366*				1 1/8	56	125
51367*				1 1/8	44	90
50799-N				M8x1.25 x 16mm	44	90
50799-S ⁺				M8x1.25 x 16mm	44	90

Standard elastomer is Natural Rubber, (*) indicates Neoprene, (+) indicates Silicone

Fabreeka Pad

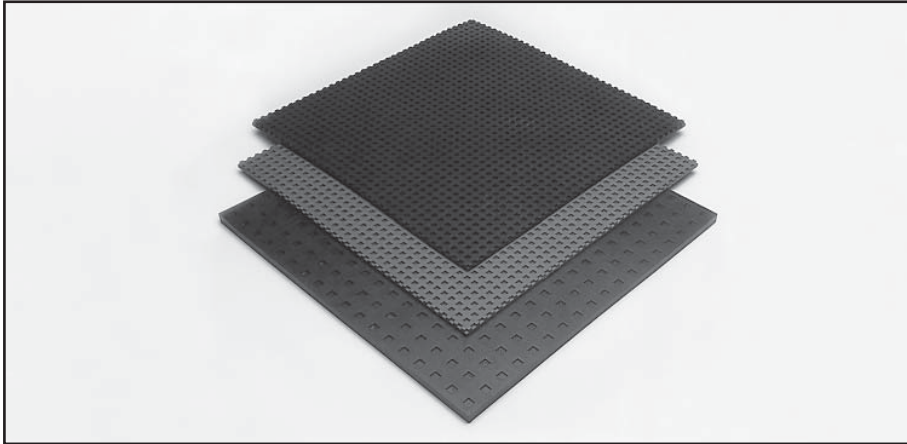


Fabreeka pad is the original fabric reinforced, elastomeric pad developed in 1936. The properties of the Fabreeka pad are exceptionally suited for impact shock control, vibration isolation and structure-borne noise reduction. The Fabreeka pad can also be used as a bearing pad to eliminate concrete spalling by compensating for construction irregularities such as rotation and non-parallel load bearing surfaces.

Depending upon the size and thickness, Fabreeka pad can ultimately withstand loads up to 12,000 psi. Normally, compressive stresses are designed not to exceed 2,000 psi to extend service life and reduce permanent set. Fabreeka pad has a relatively high damping rate of 14% of critical, twice the value of damping for natural rubber and unreinforced elastomers. Natural Frequency as low as 12 Hz.

Available Thickness
1/16
3/32
1/8
5/32
3/16
15/64
9/32
11/32
1/2
5/8
3/4
1

Fabcel Pad



Fabcel vibration isolation pad is manufactured using the same nitrile compound developed in 1962. The properties of the Fabcel pad are designed to provide low frequency vibration isolation and reduction of impact shock.

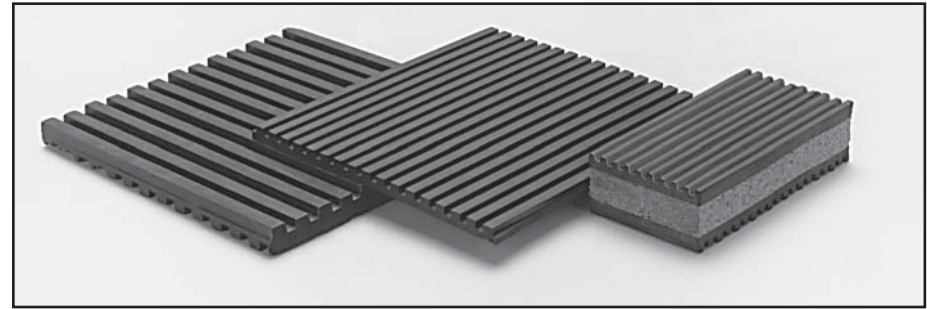
Fabcel pad has been used for over 40 years for mounting machinery and sensitive equipment where absorption of impact shock or isolation of transmitted vibration is desired. Fabcel pads may be bonded together ("layered") to achieve the desired isolation efficiency for any application.

Features:

- Fabcel pad can withstand loads up to 300 psi.
- Fabcel pad can have a vertical natural frequency as low as 5.0 Hz and a horizontal natural frequency as low as 3.0 Hz.
- Fabcel pad has a high energy storage rate per unit volume which makes it ideal for certain shock isolation applications.

Part No.	Max. Load (psi)	Size (in.)
Fabcel 25	25	18 x 18 x 5/16
Fabcel 50	50	18 x 18 x 5/16
Fabcel 100	100	18 x 18 x 5/16
Fabcel 200	200	18 x 18 x 1/2
Fabcel 300	300	18 x 18 x 1/2

Anti-Vibration Pad



The ribbed configuration of our Neoprene Pads provides firm footing to both floor and equipment, yet they allow mounted equipment to be relocated quickly and easily. Recommended for maximum loads of 50 psi.

Ribbed Nitrile Pads are recommended for loads from 40 to 100 psi.

Neoprene-Cork Pads accept a maximum load of 50 psi.

Natural Frequency approximately 10-15 Hz at maximum load.

Neoprene (Load Range 20-50 psi)

Part Number	Size (in.)
52347 Ribbed both sides	18 x 18 x 3/8
52348 Ribbed both sides	18 x 36 x 3/8
56780 Ribbed both sides	18 x 18 x 1/2

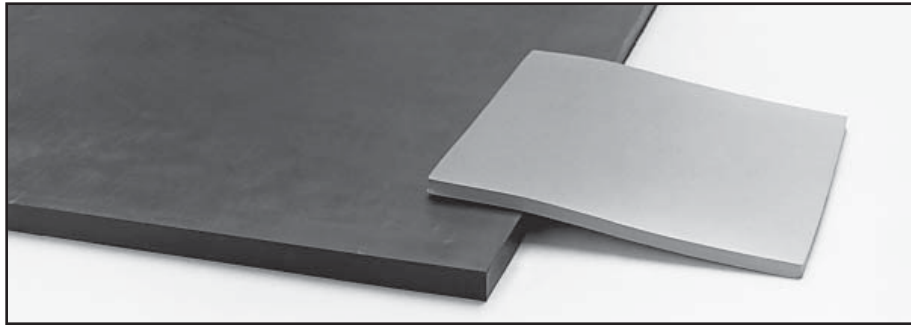
Nitrile (Load Range 40-100 psi)

Part Number	Size (in.)
52349 Ribbed both sides	20 x 20 x 3/8
52350 Ribbed one sides	20 x 20 x 1/4

Neoprene-Cork (Load Range 20-50 psi)

Part Number	Size (in.)
56803 Ribbed both sides	12 x 12 x 1
52337 Ribbed both sides	18 x 18 x 1
56779 Ribbed both sides	18 x 36 x 1

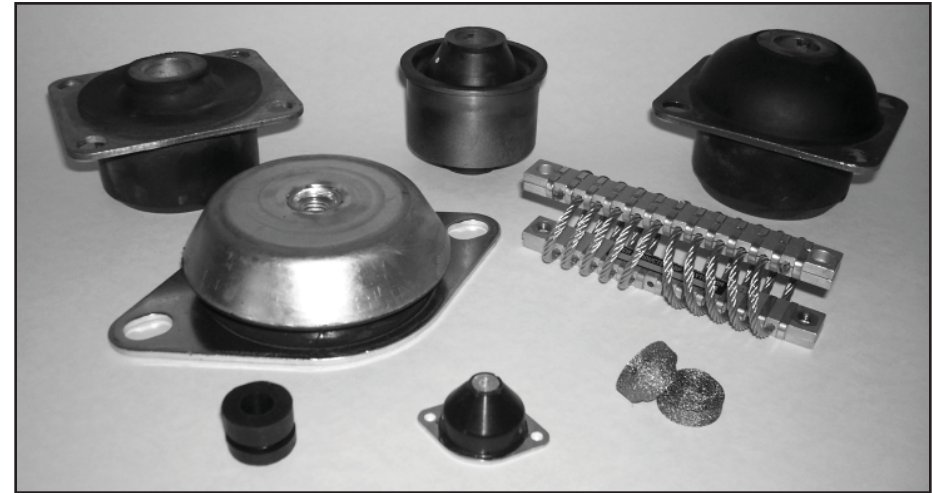
Compression Pad



Multi-purpose neoprene isolation pads are used to eliminate vibration and transmitted noise. They offer good physical strength and high energy-absorbing characteristics.

Part Number	Color Code	Size (in.)	Max. Load (psi)
50100	Red	24 x 24 x 1/2	100
52330	Green	24 x 24 x 1/2	200
52331	White	24 x 24 x 1/2	300
52332	Green	12 x 12 x 1/2	200
52333	White	12 x 12 x 1/2	300
52334	Green	12 x 24 x 1/2	200
52335	White	12 x 24 x 1/2	300
52355	Blue-White	36 x 36 x 1/2	300
52746	Black	48 x 48 x 1/2	300

Custom Isolators

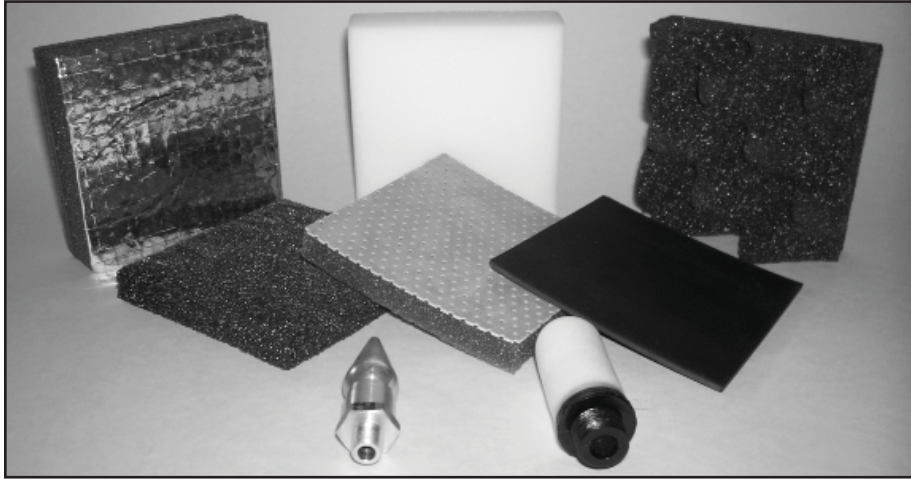


In addition to alternate materials for our standard parts, Tech Products offers custom isolation products including:

- Custom Molded Elastomer Mounts
- Wire Rope Isolators
- Metal Mesh Mountings
- Rubber Grommets

Contact Tech Products' engineers to review your current isolation products or to develop a new isolation solution.

Noise Control Products



In addition to our shock and vibration isolators, Tech Products also offers Noise Control Solutions including:

- Acoustical Foam and Foam Composites
- Sound Absorbing Blankets and Curtains
- Vibration Damping Sheets and Tiles
- High Thrust Air Silencers
- Exhaust Silencers

Visit www.novibes.com for more information on our our noise control products.

Contact Information



Contact Tech Products:

Phone: 937-438-1100

Fax: 937-438-2190

General Email: tpc@novibes.com

Customer Service: custsvc@novibes.com

Orders: orderdesk@novibes.com

Engineering: enr@novibes.com

Website: www.novibes.com

Warranty and Disclaimer

Tech Products Corporation agrees to correct any defect in workmanship or material in products sold which may develop under proper and normal use, by repair or replacement at Tech Products Corporation's option, F.O.B. our plant, of the defective part or parts, provided written notice of any such

defect describing the same is given to Tech Products Corporation within 30 days from the date of shipment. The responsibility of Tech Products Corporation with respect to any such defect in products sold is limited to such correction or replacement.

THE FOREGOING WARRANTY IS EXPRESSLY IN LIEU OF ANY OTHER WARRANTIES, EXPRESSED OR IMPLIED, INCLUDING ANY IMPLIED WARRANTY OF MERCHANTABILITY OR FITNESS FOR A PARTICULAR PURPOSE, AND OF ANY OTHER OBLIGATIONS OR LIABILITY ON THE PART OF TECH PRODUCTS CORPORATION, EXCEPT THAT IN NO CASE SHALL THE LIABILITY OF TECH PRODUCTS CORPORATION ARISING OUT OF THIS SALE EXCEED THE SALES PRICE OF THE PRODUCTS COVERED HEREUNDER.

No returns are accepted without written authorization from Tech Products Corporation. A restocking charge may be necessary on all unused materials returned. All returned materials are

F.O.B. our plant. Returned items must have a Return Material Authorization (RMA) from Tech Products Corporation.